

MSR-03 Phase Failure And Sequence Relay

General

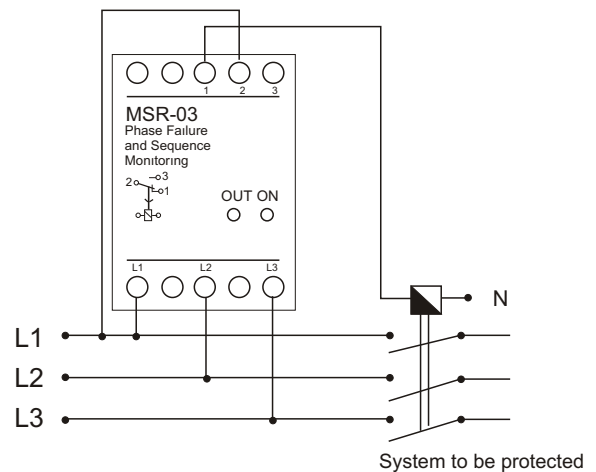
MSR-03 is an electronic device monitoring the L1, L2, L3 phase failure and sequence.

Operation Principles

MSR-03 Phase Sequence Device is developed to be used in three-phase systems where correct phase sequence is important. When give the power supply to MSR-03, the "ON" LED on the front remains ON. If the input L1, L2 and L3 phase are in correct sequence, the "OUT" LED on the front panel remains ON and the internal relay is energized. When the phase sequence is wrong, the "OUT" LED turns OFF and output relay is inactive. In this case, interchanging two phase will be sufficient to solve the problem. General application in which MSR-03 phase sequence device is used, are vessel pumping systems, air compressors, and elevators. The unexpected false rotating direction of motors used with these systems can cause injury to persons and damage the property.



Connection Diagram



Technical Data

Network voltage	: 380/400VAC
Network type	: 3P3W
Rated Frequency	: 50/60HZ
Rated Voltage	: 200-480VAC
Output Contact	: 1 8A,1700VA
Ambient Temperature	: -25°C to +50°C
Installation	: Surface mounting or on the mounting rails
Protection Class	: IP20
Weight	: 0.1Kg

Dimensions

