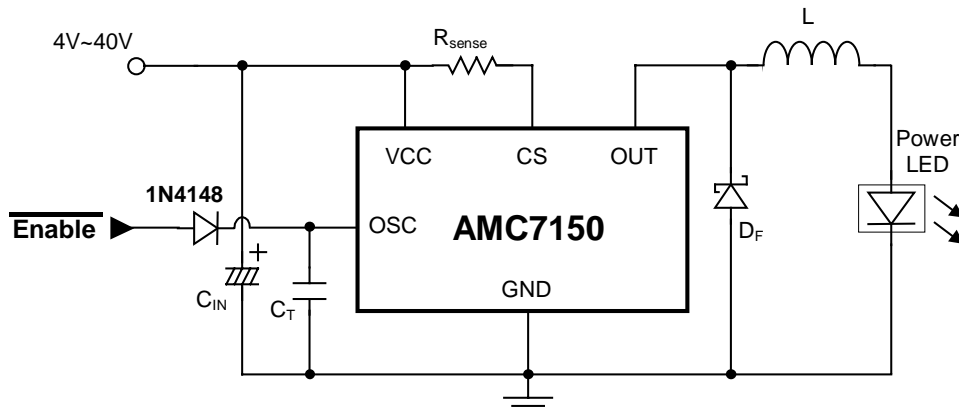


Application Note

AMC7150 : PWM Dimming Function of AMC7150

匯整 : Danice

1. Application Circuit :



2. Description of Enable Control :

One diode (1N4148) is added between the inward PWM control signal and the OSC pin.

Parameter	Description	Symbol	Min	Max	Unit	Apply Pin
Enable voltage "High"	Turn OFF the driver	$V_{\overline{EN},H}$	2	5.5	V	$\overline{\text{Enable}}$
Enable voltage "Low"	Turn ON the driver	$V_{\overline{EN},L}$		0.4	V	
Enable voltage sink current	Turn OFF the driver	$I_{\overline{EN}}$		300	μA	

3. Measured Waveform : When ON duty=100%, $i_{LED,Mean} = 369\text{mA}$

