

CG series

Capacitive switches for underlay applications



DISTINCTIVE FEATURES

- Activated by the touch of a finger
- 50 million cycles
- Auto-calibration function
- Mounting under non-conductive surfaces
- Mating harness on request



ENVIRONMENTAL SPECIFICATIONS

- Triggered by flowing water
- Temperature range : -40 °C to +70 °C (-40 °F to +158 °F)
- Adhesive and connector resistant to vibrations



ELECTRICAL AND GENERAL SPECIFICATIONS

- Supply voltage : 5 VDC, 12 VDC or 24 VDC
- Supply current : 15 mA max. (12 V)
- Max. current/voltage rating : 200 mA 24 VDC
- Life expectancy : 50 million cycles
- Switch resistance ON : 1 Ohm max.
- Power consumption : 10 mA max. mode OFF
- Output type : NPN



MATERIALS

- Case : ABS
- Sealing : epoxy

APEM products may be recycled at end-of-life for the re-claiming of valuable metal components.

The company reserves the right to change specifications without notice.

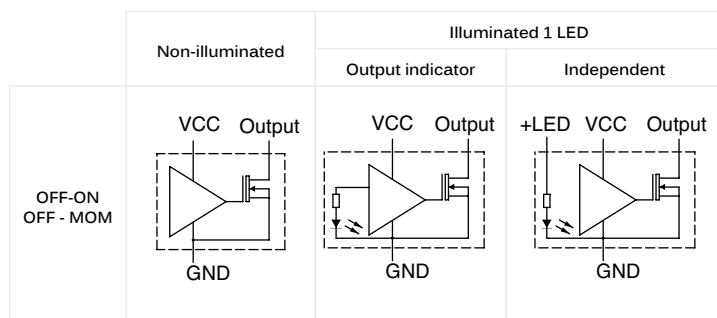


CG series

Capacitive switches for underlay applications



WIRING DIAGRAMS



WIRING FOR MATING CONNECTOR HARWIN M30-1100400

- Pin 1 : output
- Pin 2 : GND
- Pin 3 : +LED
- Pin 4 : +VCC
- Mating harness (connector + wires) available on request.

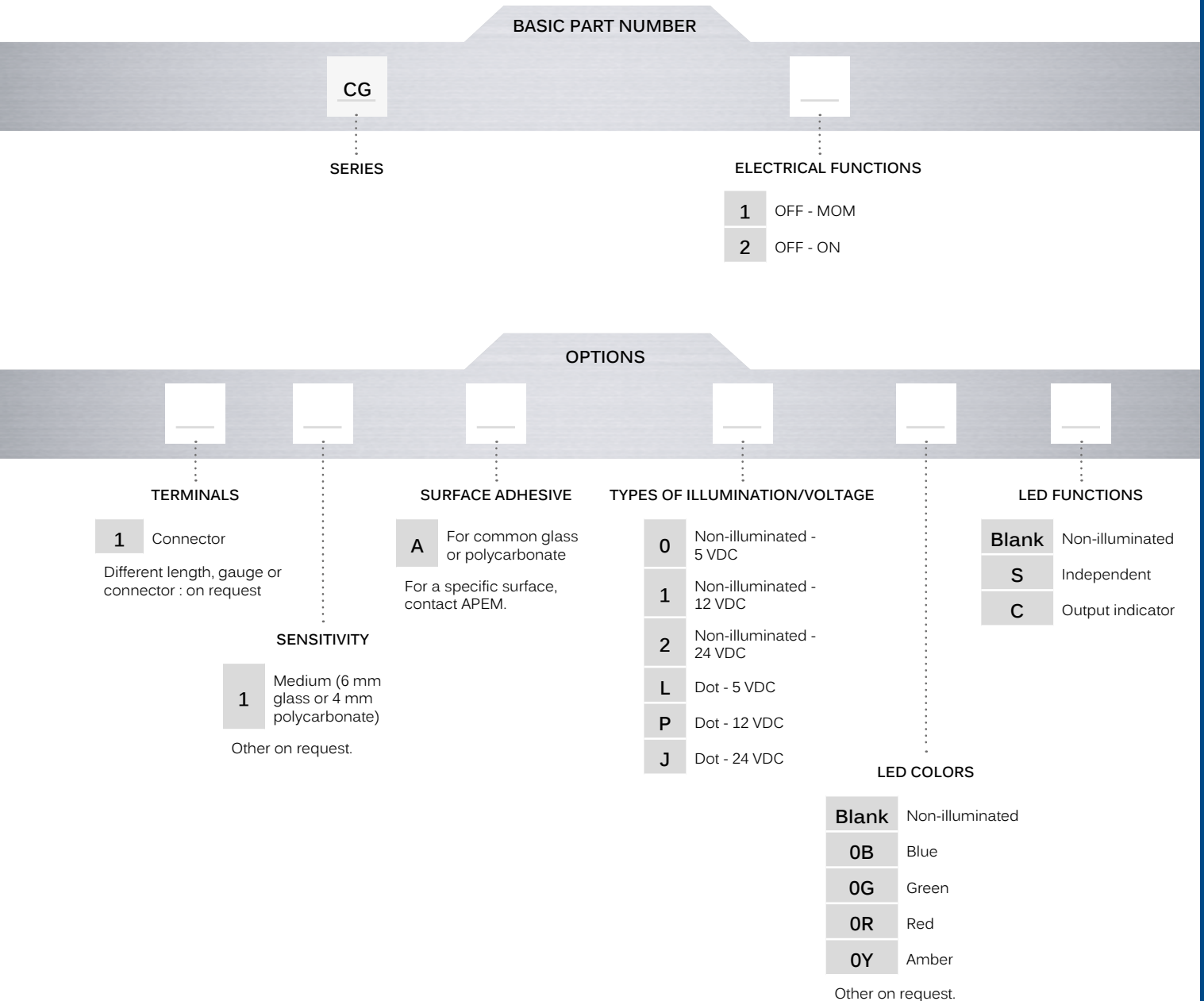


This switch should not be used in safety applications.

CG series


Capacitive switches for underlay applications

BUILD YOUR PART NUMBER



ABOUT THIS SERIES

On the following pages, you will find successively basic part numbers of switches and options in the same order as in above chart.

 **Notice** : please note that not all combinations of above numbers are available. Refer to the following pages for further information.

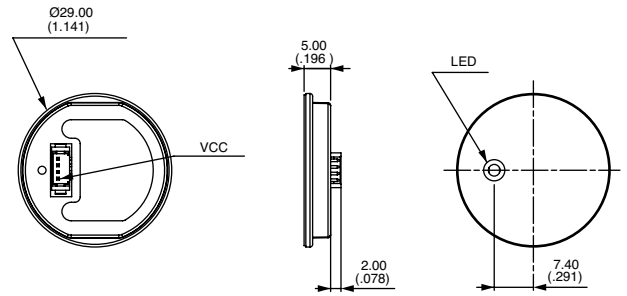
CG series

Capacitive switches for underlay applications

CONNECTOR OUTPUT



Momentary		
CG1	OFF	ON
Latching		
CG2	OFF	ON



For connector wiring, see specifications.

TERMINALS



1 Connector

SENSITIVITY



1 Medium (6 mm glass or 4 mm polycarbonate)

Other on request.

SURFACE ADHESIVE



A For common glass or polycarbonate

For a specific surface, contact APEM.

TYPE OF ILLUMINATION



- 0 Non-illuminated - 5 VDC
- 1 Non-illuminated - 12 VDC
- 2 Non-illuminated - 24 VDC
- L Dot - 5 VDC
- P Dot - 12 VDC
- J Dot - 24 VDC

CG series

Capacitive switches for underlay applications

LED COLORS



- Blank** Non-illuminated
- 0B** Blue
- 0G** Green
- 0R** Red
- 0Y** Amber

Other on request.

LED FUNCTION



- Blank** Non-illuminated
- S** Independent
- C** Output indicator

ACCESSORIES

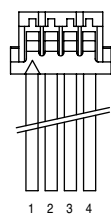
Order separately.

U7120 Mating harness for independent LED (version S)

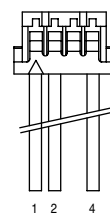
U7040 Mating harness for all other versions

Connector : Harwin M30-1100400

Wires : AWG28, 150 mm



U7120



U7040

EXAMPLE OF CUSTOM SWITCH



- Flying leads with connector
- Customisable wires length
- Easy mounting
- Epoxy wire terminal : high sealing level