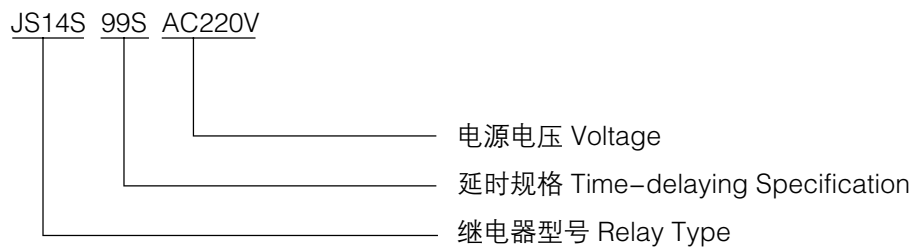




## 1 产品特性 Product Specialties

- 1.1 内部结构集成式 Internal structure integration type;
- 1.2 外部结构标准式 External structure standard type;
- 1.3 整定设置简单式 Adjusting set-up simplifying type;
- 1.4 功能模式多样性 Function mode diversification type。

## 2 产品型号及含义 Product Types and Meanings

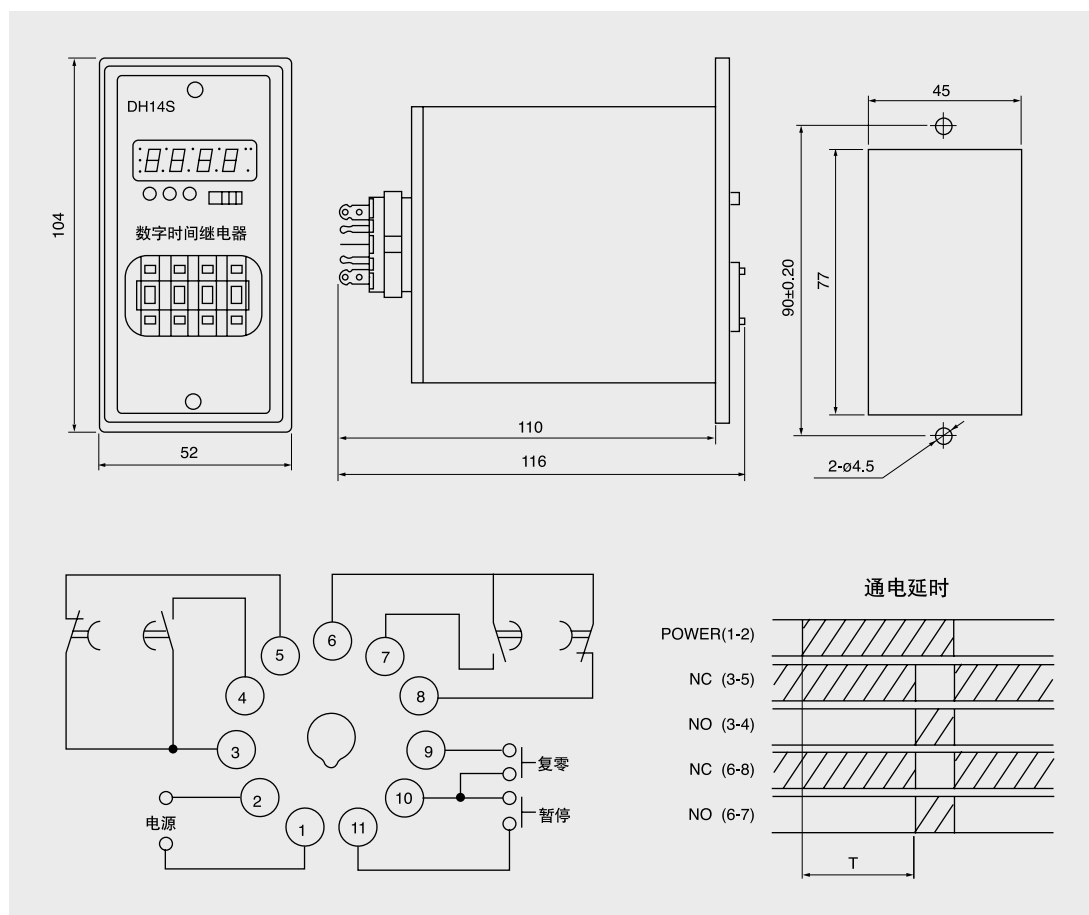


## 3 主要技术参数 Main Technological Parameter

|                            |  |                    |
|----------------------------|--|--------------------|
| 电源电压 Voltage               | DC12V~DC220V, AC12V~380V                     |                    |
| 延时范围 Time Range            | 0.01S~9999h                                  |                    |
| 安装形式 Contact Ratings       | 面板式 Panel type                               |                    |
| 触点容量 Contact Capacity      | AC220V:5A; DC24V:7A                          |                    |
| 环境温度 Operating Temperature | -10℃ ~ 50℃                                   |                    |
| 湿度 Humidity                | 35%~85%                                      |                    |
| 电寿命 Electricity Life       | 1 × 10 <sup>5</sup> 次                        |                    |
| 对应型号<br>Parallelism Type   | 工作模式<br>Work mode                            | 延时范围<br>Time Range |
| DH14S                      | 通电延时, 多时段<br>On-delay, multi-period of time  | 0.01S~99.99h       |
| JS14S                      | 通电延时, 单时段<br>On-delay, single period of time | 0.01S~9999h        |

#### 4 外形安装尺寸、接线图、工作时序图

Outline and mounting dimensions, Wiring drawing, Work time-sequence drawing



##### • 使用说明

1. 复位功能：在任意时刻接通复位端子(9、10)，继电器恢复到初始状态。
2. 暂停功能：在计时过程中接通暂停端子(10、11)，计时暂停，显示保持此刻的时间，断开后继续计时。
3. 在强电场环境且复位及暂停连接导线较长时，请使用屏蔽导线。
4. 复位及暂停端子切勿从外输入电压或接地，以免损坏产品。

##### • Use instruction:

1. Reset function: the relay would return to initial state when processing reset terminal (9、10) at any time.
2. Pause function: the timing would be paused and display、retain the time of this moment when processing pause terminal (10、11) during timing process, and the timing would go on after cut-off.
3. Please using screening lead if the reset or pause connection lead are quite long when used under strong electric field condition.
4. The reset and pause terminals is banned from being inputed with voltage from outside or landing, which avoiding damaging product.