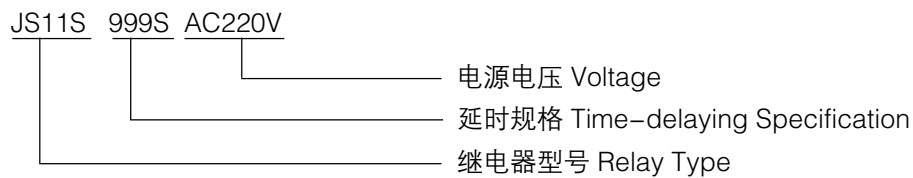




1 产品特性 Product Specialties

- 1.1 内部结构集成式 Internal structure integration type;
- 1.2 外部结构标准式 External structure standard type;
- 1.3 整定设置简单式 Adjusting set-up simplifying type;
- 1.4 功能模式多样性 Function mode diversification type。

2 产品型号及含义 Product Types and Meanings

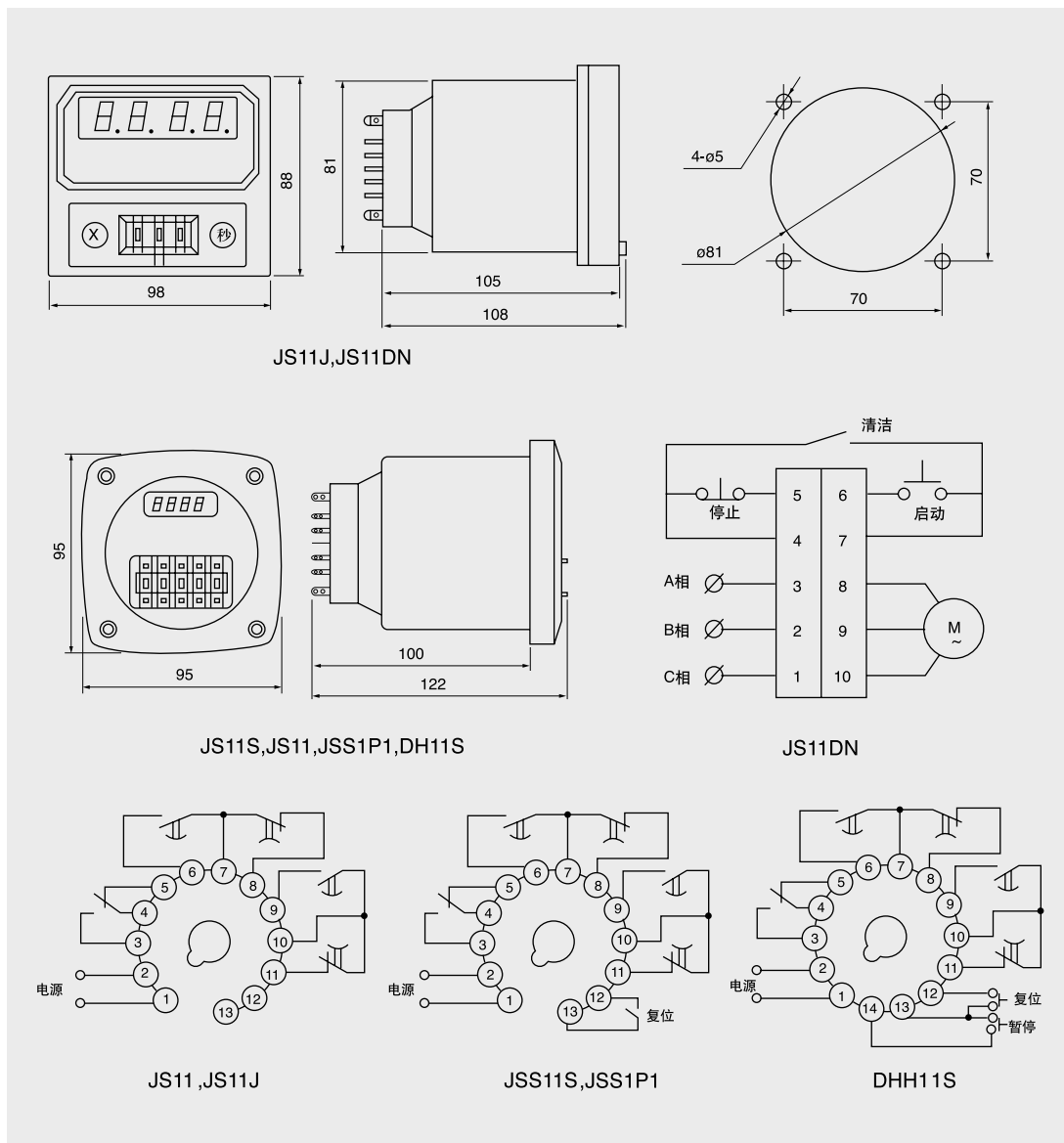


3 主要技术参数 Main Technological Parameter

电源电压 Voltage	DC12V~DC220V, AC12V~380V
延时范围 Time Range	0.01S~9999h
安装形式 Contact Ratings	面板式 Panel type
触点容量 Contact Capacity	AC220V: 5A DC24V: 7A
环境温度 Operating Temperature	-10℃ ~ 50℃
湿度 Humidity	35%~85%
电寿命 Electricity Life	1 × 10 ⁵ 次

对应型号 Parallelism Type	工作模式 Work mode	延时范围 Time Range	显示方式 Display Way
JS11	通电延时, 单时段 On-delay, single period of time	0.01S~9999h	发光管 luminous pipe
JS11S	通电延时, 单时段 On-delay, single period of time	0.01S~9999h	数码管 Digital pipe
JS11J	通电延时, 单时段 On-delay, single period of time	0.01S~999h	数码管 Digital pipe
JS11DN	通电延时, 单时段 On-delay, single period of time	0.01S~999h	数码管 Digital pipe
JSS1P1	通电延时, 多时段 On-delay, multi-period of time	0.01S~999h	数码管 Digital pipe
DH11S	通电延时, 多时段 On-delay, multi-period of time	0.01S~99.99h	数码管 Digital pipe

4 外形安装尺寸、接线图 Outline and mounting dimensions, Wiring drawing



• 使用说明:

1. 复位功能: 在任意时刻接通复位端子, 继电器恢复到初始状态。
2. 暂停功能: 在计时过程中接通暂停端子, 计时暂停, 显示保持此刻的时间, 断开后继续计时。
3. JS11DN 型产品主要适用于搅拌机的自动控制电路中。

• Use instruction:

1. Reset function: the relay would return to initial state when processing reset terminal at any time.
2. Pause function: the timing would be paused and display, retain the time of this moment when processing pause terminal during timing process, and the timing would go on after cut-off.
3. The JS11DN model product mainly applied to auto control circuit of pug mill