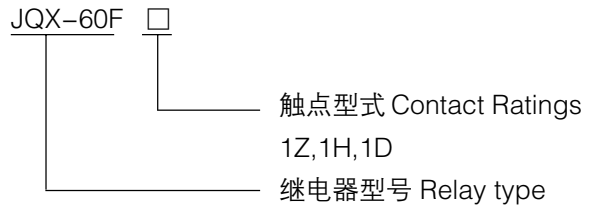


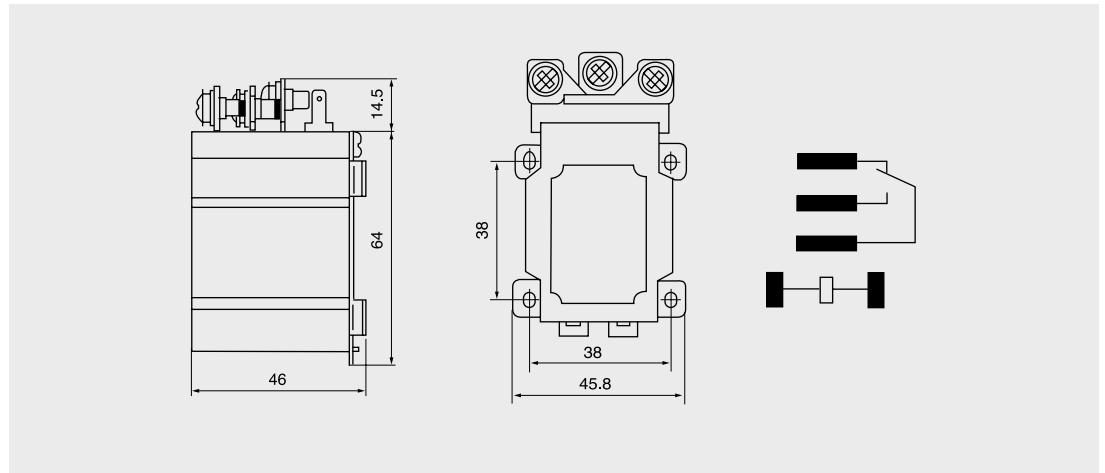
1 产品型号及含义 Product Types and Meanings



2 性能参数 Specification

型号 Type	JQX-60F	
动作电压 Bick-up voltage	≤ 80%us, 80% of rated voltage	
释放电压 Drop-out voltage	AC	≥ 30%us, 30% of rated voltage
	DC	10%us, 10% of rated voltage
最大连续工作电压 Max supply voltage	110%us, 110% of rated voltage	
动作时间 Operating time	25ms	
释放时间 Release time	25ms	
线圈电压 Coil voltage	AC	6~220V
	DC	5~60V
线圈额定功率 Nominal coil power	DC2.0W/AC2.5VA	
额定绝缘电压 Rated insulation voltage	250V	
接触电阻 Contaet resistance	≤ 50mΩ	
绝缘电阻 Contaet resistance	1000MΩ	
介质耐压 Insulation strength	2500VAC/1min	
开闭频率 Operation cyele	30cpm	
振动 Vibration	10~50Hz, 双振幅 1.5mm Dual Amplitude 1.5mm	
冲击 Shock	10G	
机械寿命 Mechanical life	1 × 10 ⁷	
电寿命 Electrical life	1 × 10 ⁵	
触头负载(阻性) Contact capacity	60A/250VAC	
重量 Net weight	≤ 240g	
环境温度 Ambient temperature	-10℃ ~ +55℃	
环境湿度 Humidity	35%~85%RH	
大气压力 Atmospheric	86~106KPa	

3 外形图、接线图、安装孔尺寸 Dimension, Bottom View



4 性能曲线图 Reference Data

