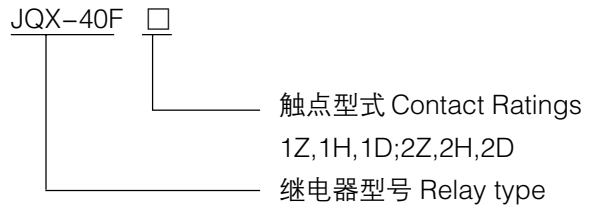


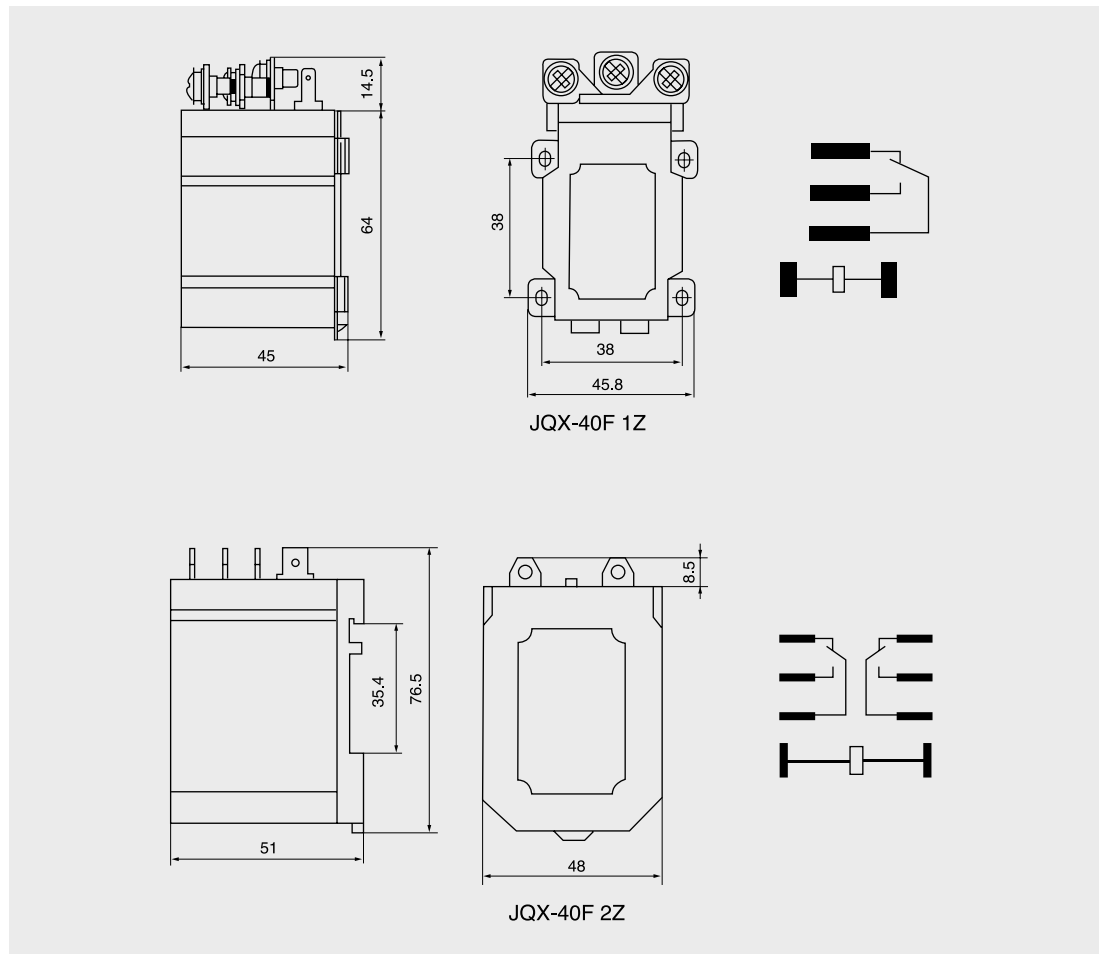
## 1 产品型号及含义 Product Types and Meanings



## 2 性能参数 Specification

型号 Type		1Z	2Z
动作电压 Bick-up voltage		80%us, 80% of rated voltage	
释放电压 Drop-out voltage	AC	30%us, 30% of rated voltage	
	DC	10%us, 10% of rated voltage	
最大连续工作电压 Max supply voltage		110%us, 110% of rated voltage	
动作时间 Operating time		25ms	
释放时间 Release time		25ms	
线圈电压 Coil voltage	AC	6~220V	
	DC	5~60V	
线圈额定功率 Nominal coil power		2.0W/2.5VA	
额定绝缘电压 Rated insulation voltage		250V	
接触电阻 Contaet resistance		≤ 50mΩ(初始值 Before use)	
绝缘电阻 Contaet resistance		≥ 100MΩ, 500V DC	
介质耐压 Insulation strength		250VA/1min(漏电流 20mA)	
开闭频率 Operation cyele		30cpm	
振动 Vibration		10~50Hz, 双振幅 1.5mm Dual Amplitude 1.5mm	
冲击 Shock		10G	
机械寿命 Mechanical life		1 × 10 <sup>7</sup>	
电寿命 Electrical life		1 × 10 <sup>5</sup>	
触头负载(阻性) Contact capacity		40A/250VAC, 2HP 250VAC	
重量 Net weight		≤ 150g	≤ 160g
环境温度 Ambient temperature		-10°C ~ +55°C	
环境湿度 Humidity		35%~85%RH	
大气压力 Atmospheric		86~106KPa	

### 3 外形图、接线图、安装孔尺寸 Dimension, Bottom View



### 4 性能曲线图 Reference Data

