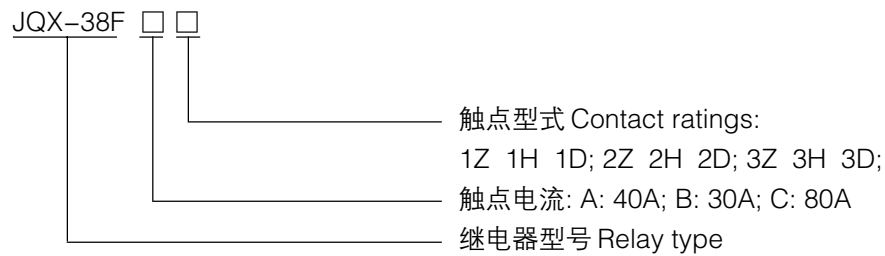


## 1 产品型号及含义 Product Types and Meanings

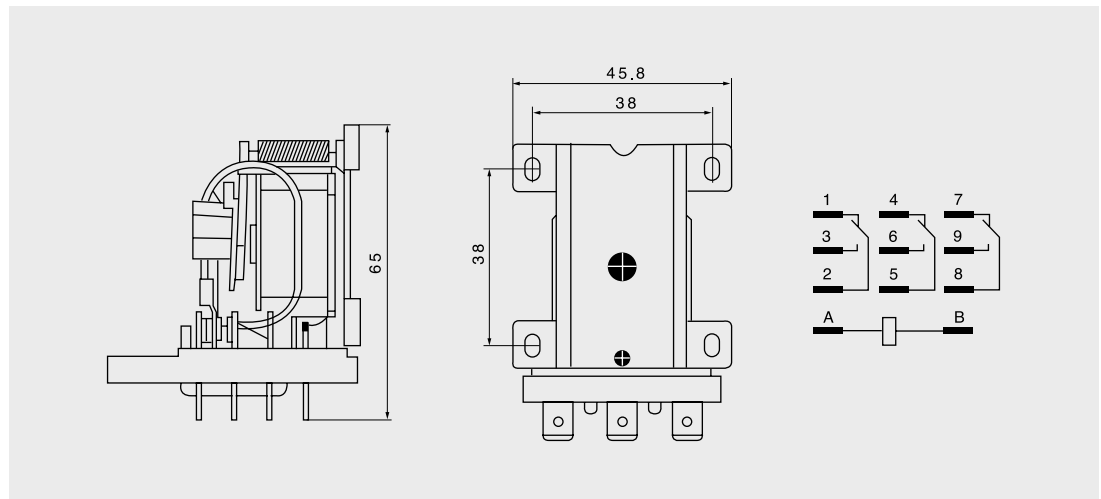


## 2 性能参数 Specification

|                                 |                                   |                            |
|---------------------------------|-----------------------------------|----------------------------|
| 型号 Type                         | JQX-38F                           |                            |
| 动作电压 Bick-up voltage            | ≤ 80%us,80% of rated voltage      |                            |
| 释放电压 Drop-out voltage           | AC                                | 30%us,30% of rated voltage |
|                                 | DC                                | 15%us,15% of rated voltage |
| 最大连续工作电压 Max supply voltage     | 110%us,110% of rated voltage      |                            |
| 动作时间 Operating time             | 25ms                              |                            |
| 释放时间 Release time               | 25ms                              |                            |
| 线圈电压 Coil voltage               | AC                                | 12~220V                    |
|                                 | DC                                | 5~60V                      |
| 线圈额定功率 Nominal coil power       | DC2.0W~2.5W/AC4.0VA               |                            |
| 额定绝缘电压 Rated insulation voltage | 250V                              |                            |
| 接触电阻 Contaet resistance         | ≤ 50mΩ(初始值 Before use)            |                            |
| 绝缘电阻 Contaet resistance         | ≥ 1000MΩ                          |                            |
| 介质耐压 Insulation strength        | 2500V AC/1min                     |                            |
| 开闭频率 Operation cyele            | 30cpm                             |                            |
| 振动 Vibration                    | 10~50Hz 双振幅 Dual amplitude: 1.5mm |                            |
| 冲击 Shock                        | 10G                               |                            |
| 环境温度 Ambient temperature        | -10℃ ~ +55℃                       |                            |
| 环境湿度 Humidity                   | 35%~85%RH                         |                            |
| 大气压力 Atmospheric                | 86~106KPa                         |                            |

|                          |                    |
|--------------------------|--------------------|
| 型号 Type                  | JQX-38F            |
| 机械寿命 Mechanical life     | $1 \times 10^7$    |
| 电寿命 Electrical life      | $1 \times 10^5$    |
| 触头负载(阻性)Contact capacity | 30A,40A,80A/250VAC |
| 重量 Net weight            | $\leq 150g$        |

### 3 外形图、接线图、安装孔尺寸 Dimension, Bottom View



### 4 性能曲线图 Reference Data

