

## 1 产品型号及含义 Product Types and Meanings

JQX-12F □ □

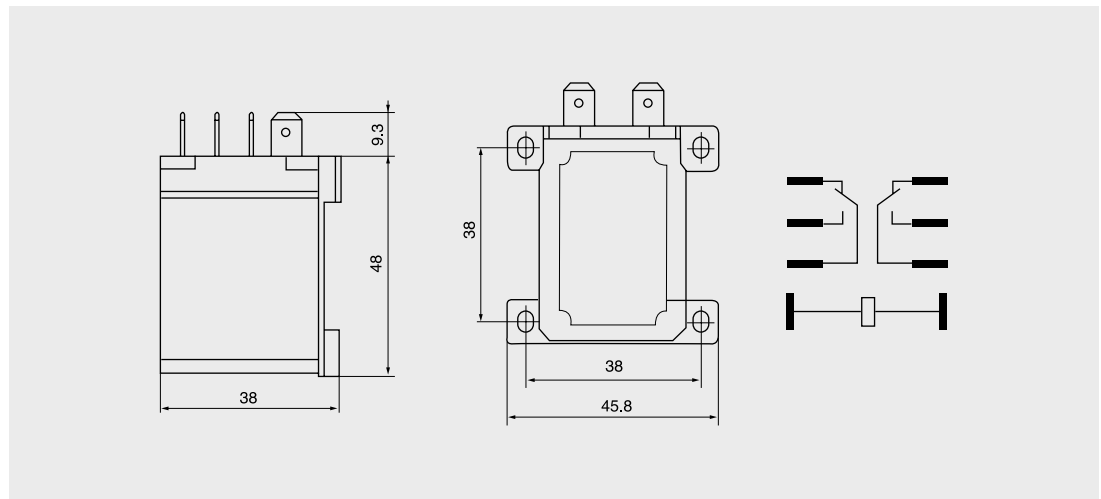
触点型式 Contact ratings: 2Z 2H 2D  
 继电器型号 Relay type

## 2 性能参数 Specification

型号 Type	JQX-12F	
动作电压 Bick-up voltage	≤ 75%us, 75% of rated voltage	
释放电压 Drop-out voltage	AC	≥ 30%us, 30% of rated voltage
	DC	≥ 15%us, 15% of rated voltage
最大连续工作电压 Max supply voltage	110%us, 110% of rated voltage	
动作时间 Operating time	25ms	
释放时间 Release time	25ms	
线圈电压 Coil voltage	AC	12~220V
	DC	5~60V
线圈额定功率 Nominal coil power	DC2.5W/AC4.0VA	
额定绝缘电压 Rated insulation voltage	250V	
接触电阻 Contaet resistance	≤ 50mΩ(初始值 Before use)	
绝缘电阻 Contaet resistance	≥ 1000MΩ	
介质耐压 Insulation strength	2500V AC/1min	
开闭频率 Operation cyele	30cpm	
振动 Vibration	10~50Hz 双振幅 Dual amplitude: 1.5mm	
冲击 Shock	10G	
环境温度 Ambient temperature	-10℃ ~ +55℃	
环境湿度 Humidity	35%~85%RH	
大气压力 Atmospheric	86~120KPa	

型号 Type	JQX-12F
机械寿命 Mechanical life	$1 \times 10^7$
电寿命 Electrical life	$1 \times 10^5$
触头负载(阻性)Contact capacity	30A/250VAC 2HP 250VAC
重量 Net weight	$\leq 110g$

### 3 外形图、接线图、安装孔尺寸 Dimension, Bottom View



### 4 性能曲线图 Reference Data

