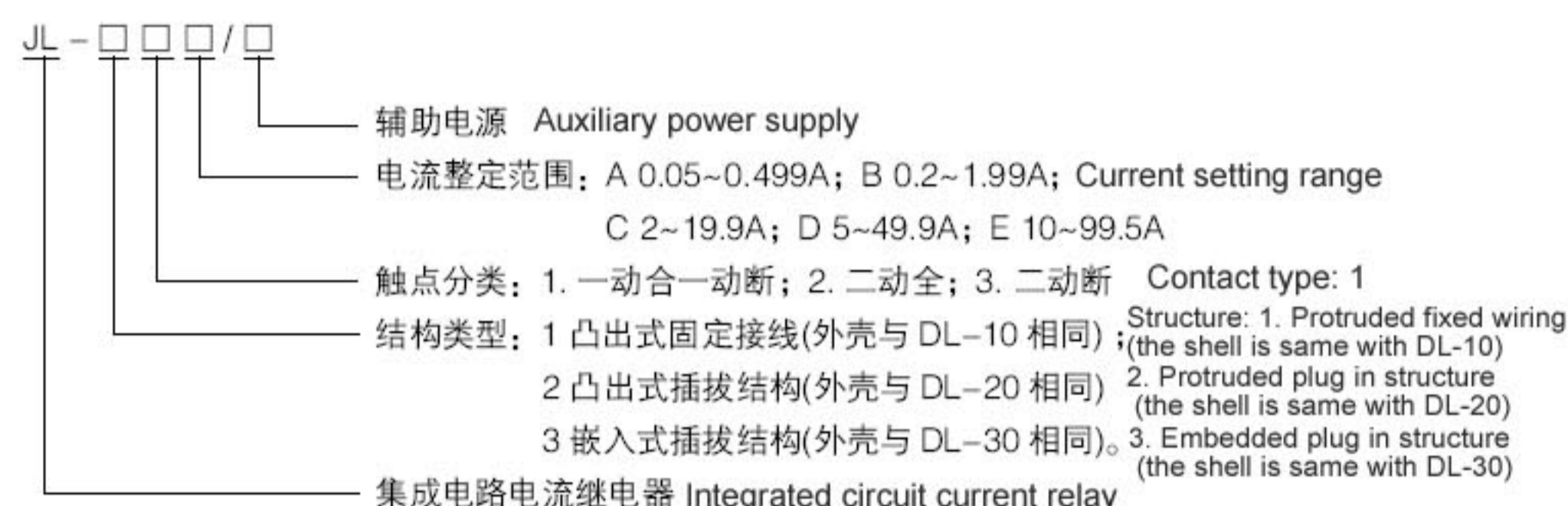


1 产品用途 Product Using

JL 系列集成电路电流继电器(以下简称产品)用于电机、变压器和输电线的过负荷和短路保护装置中作为启动元件。本产品为集成电路静态型继电器,精度高、功耗小、动作时间短、返回系数高、整定直观方便,它克服了原来电磁型继电器触点易抖动、工作噪音较大、动作值返回系数难调整及运输后动作值易变等缺点。产品分为三个系列: JL-10、JL-20、JL-30,可分别替代 DL-10、DL-20、DL-30、DL-7 等电磁式继电器。

JL series integrated circuit current relays (for short: the product) are applying for overload of motors, transformers and transmission lines and short circuit protective equipments as starting elements. The product is an integrated circuit static state type relay, and has characteristics of high accuracy, little power consumption, short operating time, high return coefficient, visual and convenient setting. It resolves the shortcomings of original electromagnetic relays such as easily dithering, big working noise, difficult adjustment of operating value return coefficient, and easily change of operating value after transportation. The product can be divided into 3 series: JL-10, JL-20, and JL-30, which can substitute DL-10, DL-20, DL-30, and DL-7 separately.

2 产品型号及含义 Product Types and Meanings



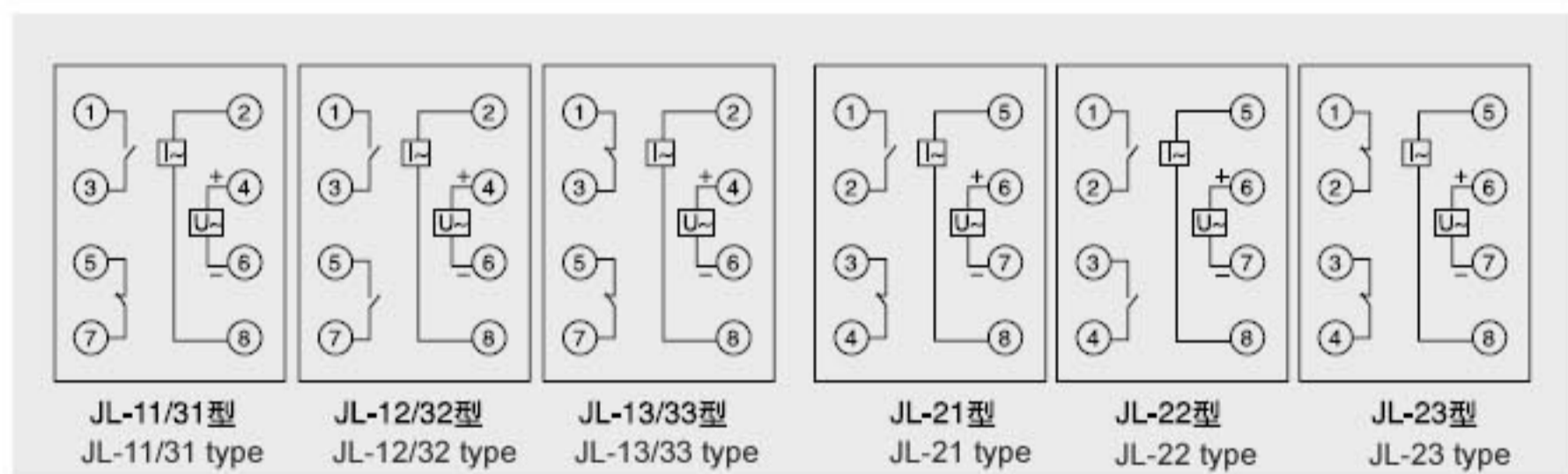
注: JL-10、20、30 系列电流继电器与其他各厂家型号 JL-1A、1B、1C, JL8-10、20、30 系列等共属同类型产品。

Note: JL-10, 20, 30 series of current relay with other manufacturers Model JL-1A, 1B, 1C, JL8-10, 20, 30 series is the same type of product.

3 主要技术参数 Main Technological Parameter

- 辅助电源: DC 220V、110V、48V。
 - 整定范围: 见型号说明。
 - 整定误差: 在基准条件下, 整定值误差不超过 $\pm 2.5\%$; 一致性不大于 1.5%。
 - 返回系数: 在基准条件下, 任一整定点的返回动作值不小于 0.9;
 - 动作时间: 1.1 倍整定值动作时间不大于 25ms。
 - 返回时间: 0.5 倍整定值返回时间不大于 27ms。
 - 功率消耗: 交流回路功率小于 2VA; 直流回路功耗小于 5W。
 - 触点容量: 在电压不超过 250V, 电流不超过 5A, 时间常数为 $5 \pm 0.75\text{ms}$ 的直流有感负荷电路中, 产品输出触点的断开容量为 50W。输出触点在上述规定的负荷条件下, 产品能可靠动作及返回 5×10^4 次, 输出触点长期允许接通电流为 5A。
 - 介电强度: 产品各导电端子连在一起, 对外露的非带电金属部分或外壳之间, 能承受 2000V(有效值)50Hz 的交流电压历时 1 分钟试验而无绝缘击穿或闪络现象。
- Auxiliary power supply: DC 220V, 110V, 48V
 ·Setting range: See type specification
 ·Set error: Under reference condition, set error should $\leq \pm 2.5\%$; Consistency $\leq 1.5\%$
 ·Return coefficient: Under coefficient condition, the return operating value of any setting point ≥ 0.9
 ·Operating time: 1.1 times setting value operating time $\leq 25\text{ms}$
 ·Return time: 0.5 times setting value return time $\leq 27\text{ms}$
 ·Power consumption: AC loop power $< 2\text{VA}$; DC loop power consumption $< 5\text{W}$
 ·Contact capacity: In DC inductive load circuit, when voltage $\leq 250\text{V}$, current $\leq 5\text{A}$, time coefficient = $5 \pm 0.75\text{ms}$, the breaking capacity of output contact of the product is 50W. Under the above specified load condition, the product can operate reliably and return 5×10^4 times, and the long term permit connecting current of the output contact is 5A.
 ·Dielectric strength: The conductive terminals of the product are connected together, and the uncharged metal or shell exposed outside can bear 2000V (valid value) 50Hz AC voltage experiment, which lasts 1 minute without insulation breakdown or flashover phenomenon.

4 接线图 Wiring drawing



注: JL-1A 与 JL-11 相同; JL-1B 与 JL-21 相同; JL-1C 与 JL-31 相同。
 Re: JL-1A is same with JL-11; JL-1B is same with JL-21; JL-1C is same with JL-31.

5 外形安装尺寸 Outline and mounting dimensions

