



1 产品概述 Product Summarize

用于直流操作电路中，作为动作指示器。

电磁式原理。DX-31,31A,31B 型为信号钮弹出式，手动复归。DX-32A 与 DX-32B 型为灯光指示式，有保持绕组。

DX-31,31A,31B 型为电压或电流动作，具有掉牌信号，机械保持、手动复归。DX-32A 型为电压或电流动作，具有灯光信号，电压保持，电气复归。

This series are applying for DC operating circuit as operation indicator.

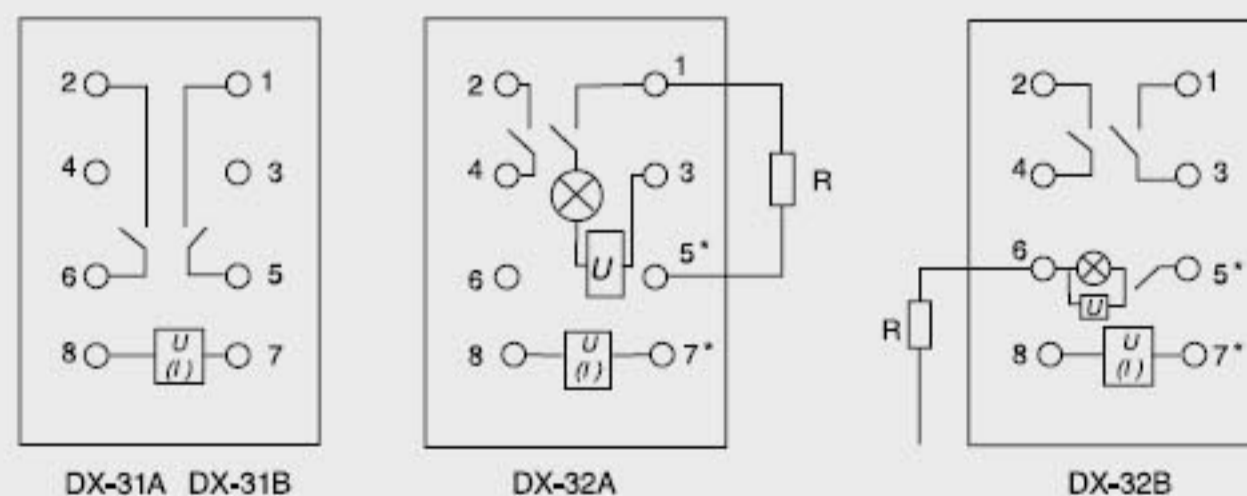
It adopts electromagnetic principle. DX-31, 31A, 31B types are signal button pop-up type, and hand priming of pump resetting. DX-32A and DX-32B types are lamplight-pointing type, and have holding windings.

DX-31, 31A, 31B types adopt voltage or current operation, and have lose brand signals of mechanically holding and hand resetting. DX-32A type adopts voltage or current operation, and has lamplight signal of voltage holding and electric resetting.

2 主要技术参数 Main Technological Parameter

工作线圈额定值 Operating coil rated value	(V)	220,110,48,24,12
	(A)	0.01,0.015,0.02,0.025,0.04,0.05,0.075,0.08,0.1,0.15,0.2, 0.25,0.5,0.75,1,2,4
保持线圈额定值(V) Holding coil rated value (V)		220,110,48(DX-32A、32B)
动作值 Operating value	≤ 70% 额定电压 rated voltage	
	≤ 90% 额定电流 rated current	
保持值 Holding value	≤ 80% 保持线圈额定值 holding coil rated value	

3 安装开孔尺寸、接线图 Mounging plate opening size,Wiring drawing



注: DX-31,31A,31B接线图完全相同

Remark: the coils of DX-31, 31A, 31B are same.

