



1 产品概述 Product Summarize

用于电力系统继电保护线路中，作为直流回路动作指示信号(掉牌信号)。

电磁式拍合型。

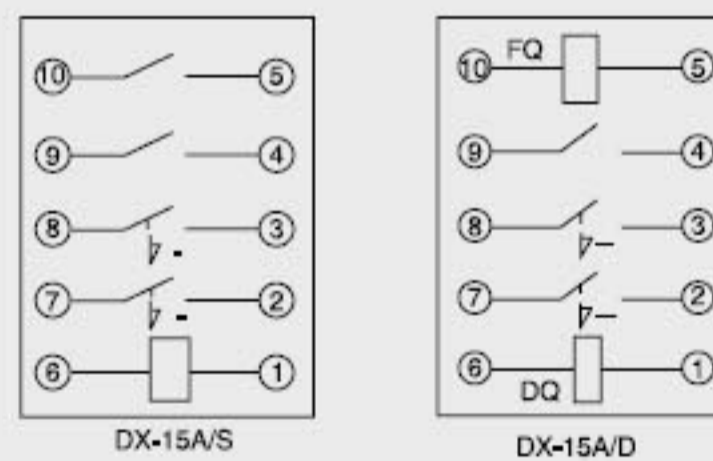
This series are applying for relay protective circuit in power system as DC loop action indicating signal (lose brand signal).

It adopts electromagnetic flapped type.

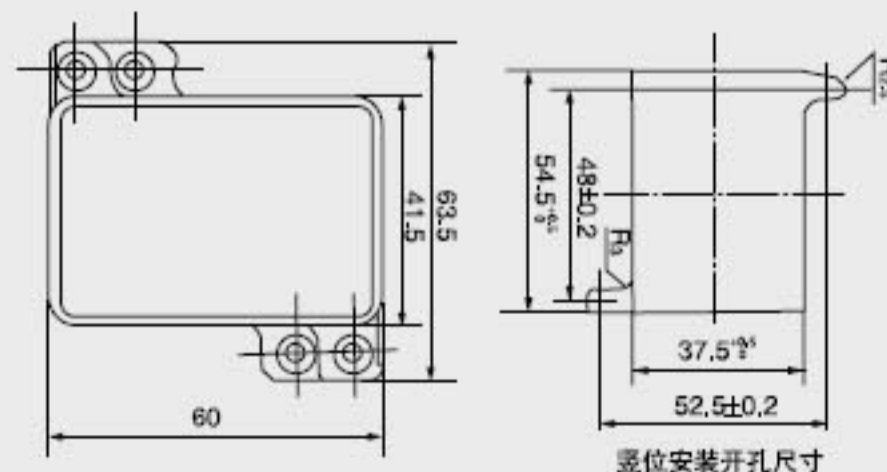
2 主要技术参数 Main Technological Parameter

型号 Type		DX-15A/D	DX-15A/S
额定值 Rated value	电流 I_n (A) Current I_n (A)	DC0.01,0.015,0.025,0.05,0.075,0.1,0.15,0.25,0.5,0.75,1	
	电压 U_n (V) Voltage U_n (V)	DC220,110,48,24,12	
复位电压 U_n (V) Contact type and number		220,110,48,24,12	
触点形式及数量 Resetting voltage U_n (V)		两副断电保持动合触点, 一副断电复位动合触点 2 pairs of power-off holding front contacts,1 pair of power-off resetting front contacts	两副断电保持动合触点, 两副断电复位动合触点 2 pairs of power-off holding front contacts,2 pair of power-off resetting front contacts

3 安装开孔尺寸、接线图 Mounging plate opening size,Wiring drawing



注: FQ为复位线图 Remark: FQ is resetting circuit drawing.



竖位安装开孔尺寸

Vertical mounting opening size