



1 产品概述 Product Summarize

用于发电机和变压器的继电保护线路中，作为电压闭锁元件，以反应不对称短路时线路电压的负序分量。

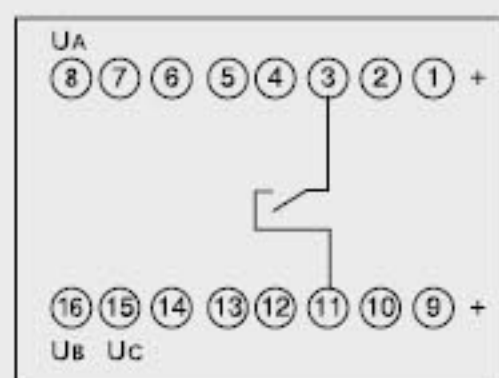
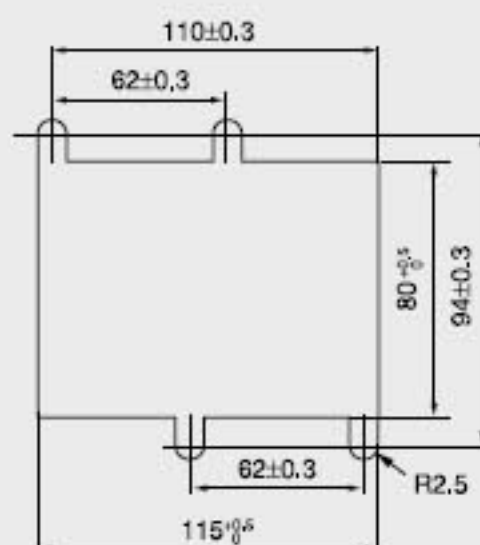
晶体管式。

It's used in relay protection lines of generator and transformer, working as voltage latching component to reflect negative sequence constituent of line voltage as unbalanced short circuit.

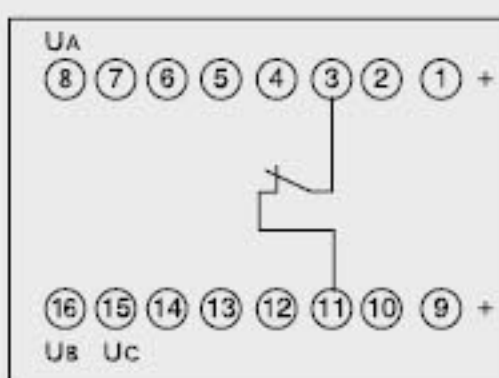
2 主要技术参数 Main Technological Parameter

型号 Type	BFY-11A	BFY-12A	BFY-13A
触点形式 Contact form	1 副动合 1 pair of movable connection	1 副动断 1 pair of movable disconnection	1 副动合, 1 副动断 1 pair of movable connection, 1 pair of movable disconnection
交流额定电压(V) AC rated voltage (V)	100, 173, (50Hz), (60Hz)		
直流额定电压(V) DC rated voltage (V)	220, 110, 48		
负序电压整定范围(V) Setting range of negative sequence voltage	6 ~ 12 变差 ≤ 6% 6~12 difference ≤ 6%		
触点容量 Contact capacity	220V, 0.2A; DC 有感 25W; AC 30VA sensitive		
功耗 Power wastage	AC 电路 100V, ≤ 5VA, 173V, ≤ 8VA; DC 电路 220V, ≤ 6W, 110V, ≤ 4W, 40V, ≤ 2W AC circuit 100V, ≤ 5VA, 173V, ≤ 8VA; DC circuit 220V, ≤ 6W, 110V, ≤ 4W, 40V, ≤ 2W		

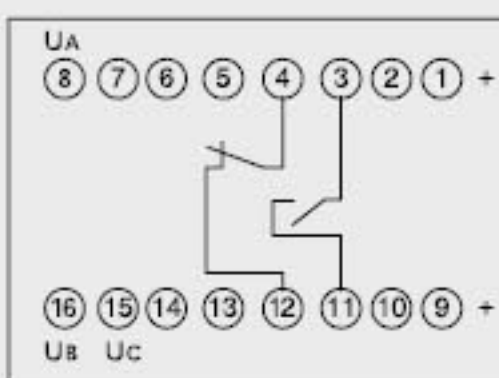
3 安装开孔尺寸、接线图 Mounging plate opening size, Wiring drawing



BFY-11A



BFY-12A



BFY-13A