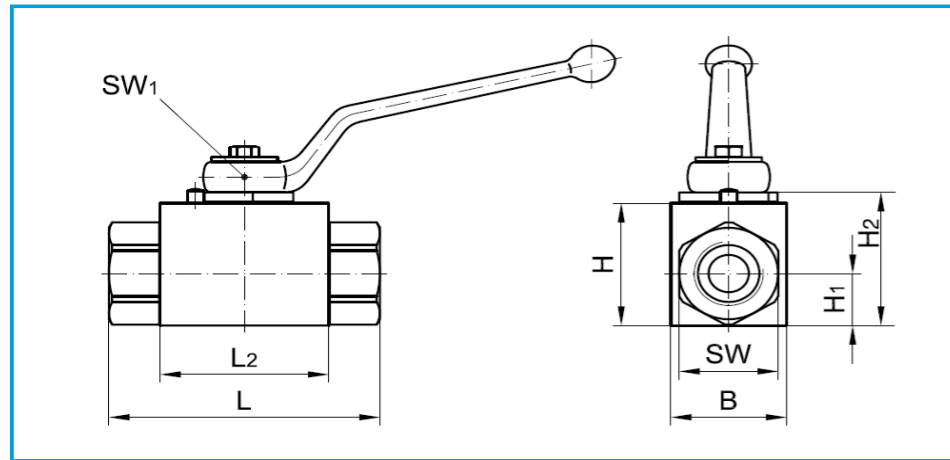


2-way ball valves with threaded connector

Stainless steel • DN 4 - DN 25



NEW!

Handle included in delivery
 Please check pressure rating of the pipe fittings!
 For actuators and needles refer to "Attachments. Accesories".
 Custom orders on request
 All dimensions subject to change without notice
 Dimensions in mm
 Weight in kg
 Pressure in bar

Body: stainless steel
 Ball: stainless steel
 Stem: stainless steel
 Ball seats: POM
 Stem seals: FKM

Connection	DN	Thread	OD	L	L ₁	L ₂	B	H	H ₁	H ₂	SW	SW ₁	Handle Code	Weight	DN	PN	Article-No.
For cut (clamp) ring tube fittings DIN 2353 light series ISO 8434-1	4	M12x1,5	6	67	10	36	20	25	10,0	27,5	19	7	1	0,20	4	500	109400
	6	M14x1,5	8	67	10	36	20	25	10,0	27,5	19	7	1	0,20	6	500	109401
	8	M16x1,5	10	75	11	45	30	35	14,5	38,5	24	8	2	0,42	8	500	109402
	10	M18x1,5	12	75	11	45	30	35	14,5	38,5	24	8	2	0,42	10	500	109403
	12	M22x1,5	15	83	12	51	35	40	17,0	43,5	30	10	3	0,63	12	500	109404
	16	M26x1,5	18	99	12	60	45	55	24,0	59,0	41	14	53	1,19	16	400	109405
	20	M30x2	22	99	14	60	45	55	24,0	59,0	41	14	53	1,21	20	400	109406
25	M36x2	28	108	14	70	55	60	26,0	64,0	50	14	53	1,75	25	400	109407	
For cut (clamp) ring tube fittings DIN 2353 heavy series ISO 8434-1	4	M16x1,5	8	73	12	36	20	25	10,0	27,5	19	7	1	0,22	4	500	109408
	6	M18x1,5	10	73	12	36	20	25	10,0	27,5	19	7	1	0,22	6	500	109409
	8	M20x1,5	12	77	12	45	30	35	14,5	38,5	24	8	2	0,43	8	500	109410
	10	M22x1,5	14	81	14	45	30	35	14,5	38,5	24	8	2	0,44	10	500	109411
	12	M24x1,5	16	87	14	51	35	40	17,0	43,5	30	10	3	0,65	12	500	109412
	16	M30x2	20	107	16	60	45	55	24,0	59,0	41	14	53	1,27	16	400	109413
	20	M36x2	25	107	18	60	45	55	24,0	59,0	41	14	53	1,29	20	400	109414
25	M42x2	30	120	20	70	55	60	26,0	64,0	50	14	53	1,88	25	400	109415	
BSP-female thread) DIN EN ISO 228-1	4	G1/8	-	69	12	36	20	25	10,0	27,5	19	7	1	0,22	4	500	109416
	6	G1/4	-	69	12	36	20	25	10,0	27,5	19	7	1	0,21	6	500	109417
	10	G3/8	-	73	14	45	30	35	14,5	38,5	24	8	2	0,43	10	500	109418
	12	G1/2	-	82	15	51	35	40	17,0	43,5	30	10	3	0,67	12	500	109419
	16	G5/8	-	93	18	60	45	55	24,0	59,0	41	14	53	1,30	16	400	109420
	20	G3/4	-	93	18	60	45	55	24,0	59,0	41	14	53	1,28	20	400	109421
	25	G1	-	115	18	70	55	60	26,0	64,0	50	14	53	1,97	25	400	109422
NPT-female thread ANSI/ASME B1.20.1-1983	4	1/8-27NPT	-	69	7,0	36	20	25	10,0	27,5	19	7	1	0,22	4	500	109423
	6	1/4-18NPT	-	69	10,0	36	20	25	10,0	27,5	19	7	1	0,21	6	500	109424
	10	3/8-18NPT	-	73	10,3	45	30	35	14,5	38,5	24	8	2	0,43	10	500	109425
	12	1/2-14NPT	-	82	13,6	51	35	40	17,0	43,5	30	10	3	0,67	12	500	109426
	20	3/4-14NPT	-	93	14,1	60	45	55	24,0	59,0	41	14	53	1,28	20	400	109427
	25	1-11½NPT	-	115	16,8	70	55	60	26,0	64,0	50	14	53	1,97	25	400	109428