



Submersible Level Transmitter SEF633



The SEF633 Stainless Steel Submersible Transmitter with capacitive ceramic sensor is suited for level measurement of fluids in open tanks, containers or reservoirs.
The SEF633 is available with a HART-Interface.

Area of Application

Sewage treatment,
Water supply,
Depth or level measurement in wells
and open waters,
Ground water level measurement
Level monitoring in open tanks

Accuracy

0.1%/0.25%/0.5% FSO

Performance

Inside three protection function,
-avoid condensation
Flush diaphragm, Sample cleaning
Wide range measurement
Excellent repeatability
Long term stability
Suitable for all fluids which are
-compatible with stainless steel

Your best choice in ETO

Your OEM partner



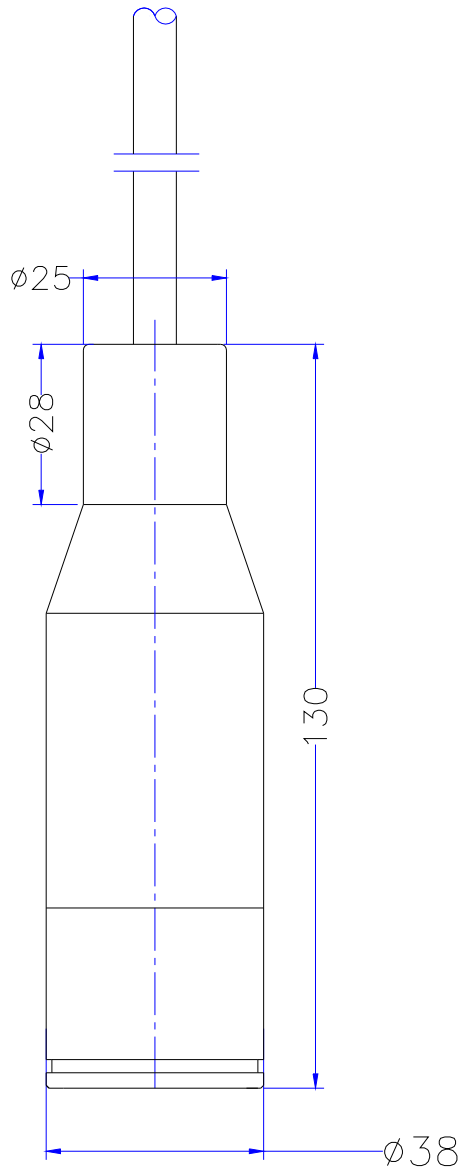
Technical data

Measuring range								
Pressure gauge(bar)	0...0.05	0...0.1	0...0.2	0...0.4	0...1	0...2	0...10	0...2
Level (mH ₂ O)	0.5	1	2	4	10	20	100	200
Overpressure P _{max} (bar)	4	4	6	6	10	18	40	40
Power supply (polarity protected)								
Supply voltage	12...45 VDC							
Output signal								
2-wire-system	4...20 mA with superimposed signal for HART protocol digital communication							
3-wire-system(optional)	1...5V							
Signal range-4 to 20 mA	3.8mA...22.8mA							
Signal on alarm	3.8mA/Option: 22.8mA/Others on request							
Performance								
Accuracy	Nominal range 0.1%							
	0.25% accuracy for range trundown 4:1							
	0.5% accuracy for range trundown 10:1							
Power supply effect	Negligible							
Vibration effect	<0.01% of URL/g when tested 200Hz in any axis relative							
Thermal effect	±0.05%/10K							
Compensated temperature range of sensor	-20...80°C							
Permissible load	≤50(V-12)Ω							
Stability	0.1% FSO/Year							
Switch on delay	5s							
Damping	0 to 100s, step: 0.1s							
Response time	200 ms (without consideration of electronic damping)							

Self stability configuration	0 to 2%
Filter configured	0 to 160 uA
Communication resistance	Typ. 250 Ω
Electrical protection	
Insulation resistance	>250M Ω
Short-Circuit protection	Permanent
Reverse polarity protection	No damage, and no function
Overvoltage protection	500 V
Application conditions	
Humidity	5...98%
Ambient and operation	-20-70°C
Storage	-30-85°C
Ingress protection	IP 68
Electromagnetic compatibility(EMC)	Interference immunity and interference emission according to GB/T17626.2-1998), compliance with IEC 61000-4-3:1995.
Materials	
Housing	Stainless steel 1.4404
Sensor	Ceramic Al ₂ O ₃ 99.9%
Seals	FPM/ Others: on request
Cable Sheath	PVC
Others	
Installation position	Any
Weight	Standard model approx. 1.3kg

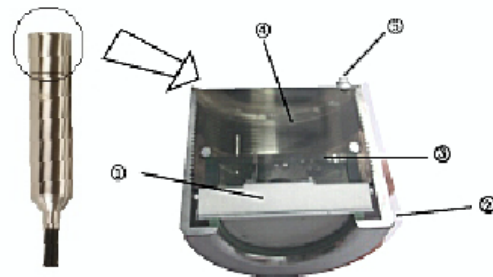


Dimensions



Dimensions of STK633 in mm
Diameter of transmitter is 38mm
Diameter of PVC cable is 7.4mm
Length of transmitter is 130mm

- ① sensor
- ② seals
- ③ connecting board
- ④ gel
- ⑤ filter





Electrical Connection

	Cable colors
2-wire-system: Supply+ Supply- Ground	Red Black Yellow

Wiring Diagrams

