

692

压差变送器  
0 to 25 bar



HUBA-REGISTERED TRADE MARK

**Huba Control**

FOR FINE PRESSURE AND FLOW MEASUREMENT



TC 铂度 (% fs/°C)  
 < +/- 0.015 at 2倍标定压力  
 < +/- 0.022 at 3倍标定压力  
 < +/- 0.037 at 5倍标定压力

**负载频率**

< 50 Hz

**动态响应**

适于动静态测量

响应时间 < 5 ms

**压力连接**

Push-on 或管间螺栓连接

**重量**

约430克

**安装**

无限制

**信号 电源**

0 - 5 V	11 - 33 VDC 24 VAC +/- 15 % 3线电缆
0 - 10 V	18 - 33 VDC 24 VAC +/- 15 % 3线电缆
0 - 20 mA	18 - 33 VDC 24 VAC +/- 15 % 3线电缆
4 - 20 mA	11 - 33 VDC 2线电缆

短路和反接保护

每个连接 可抵抗最大供电电压

Electromagnetic compatibility: CE conformity to EC directive 89/336 EEC (EMC) by application of harmonized standards EN 50081-1, EN 50081-2 and EN 50082-2.

**负载**

0 - 10 V	> 10 kOhm
0 - 20 mA	< 300 Ohm
4 - 20 mA	$\leq \frac{\text{supply voltage} - 11 \text{ V}}{0.02 \text{ A}}$ [Ohm]

**电流消耗**

最大信号输出:

0 - 10 V	< 5 mA
0 - 20 mA	< 25 mA
4 - 20 mA	< 25 mA

**电气连接/防护等级**

- 1.5米电缆, IP65, 带电缆密封套
- 1.5米电缆, IP65, 带电缆密封套 (带螺纹)
- 圆型连接DIN 41524, 三极, IP65
- DIN 43650-A, IP 65

**客户校准**

- 可调整的型号 (零点/斜率+/-10%)
- IP 65 型号

**技术概览**

692系列压差变送器利用可靠独特的陶瓷技术测量出校准的、放大的传感信号, 并将其转换为标准的电压或电流输出。

多种特定应用, 压力、电气连接件和构件材料适合于不同的介质。

**图例说明**

- 1 固定螺丝 (禁松)
- 2 密封
- 3 陶瓷元件
- 4 P2 低压, 高真空
- 5 P1 高压, 低真空

**压力范围参照选型表**

**过压参照选型表**

**系统压力**

(P1与 P2 同步)  
 25 bar (压力范围6 bar)  
 50 bar (压力范围10/16/25 bar)

**破坏压力**

1.5 倍系陶压力

**精度 (线性信号)**

线性, 迟滞和重复性之和  
 < +/- 0.5 % fs at 2倍标定压力  
 < +/- 0.8 % fs at 3倍标定压力  
 < +/- 1.3 % fs at 5倍标定压力  
 零点残余电压  
 < 50 mV at 2倍标定压力  
 < 75 mV at 3倍标定压力  
 < 125 mV at 5倍标定压力  
 零点残余电流  
 (0 - 20 mA)  
 100 μA at 2倍标定压力  
 150 μA at 3倍标定压力  
 250 μA at 5倍标定压力

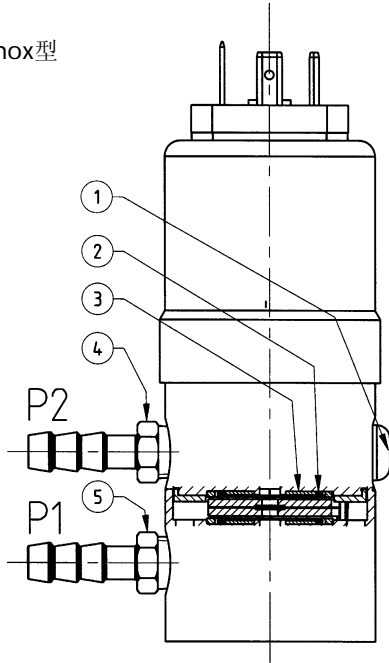
**与介质接触外壳材料**

套瓷/Inox 1.4305, PTFE  
 密封材料: 可选  
 FPM, EPDM, NBR, MVQ

**温度影响**

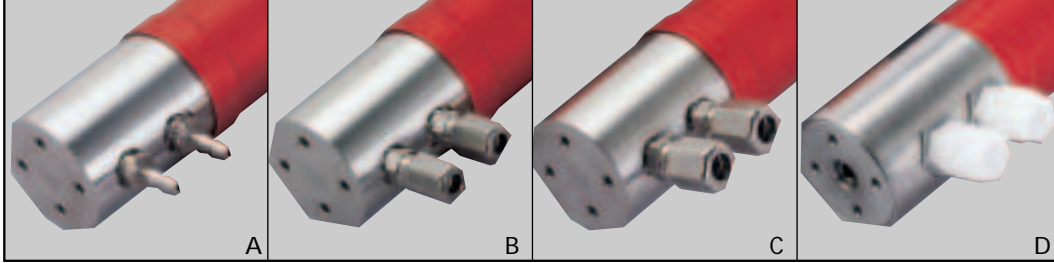
(线性信号)  
 介质与态外纹度  
 -15 °C to +80 °C.  
 TC 零点参照选型表

Inox型



**显著优点**

- 极微弱的温度影响
- 可承受极端温度
- 无机械老化及蠕变现象
- 模块化设计及可选的材料适合各种应用



- A - Pressure tube for tube Δ 4 mm
- B - Screw fitting for pipe Δ 6 mm
- C - Screw fitting for pipe Δ 8 mm
- D - Screw fitting PVDF for pipe Δ 8 mm

Versions

选型表

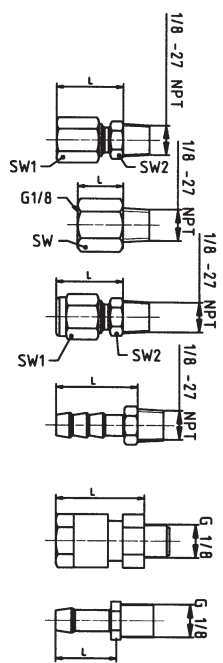
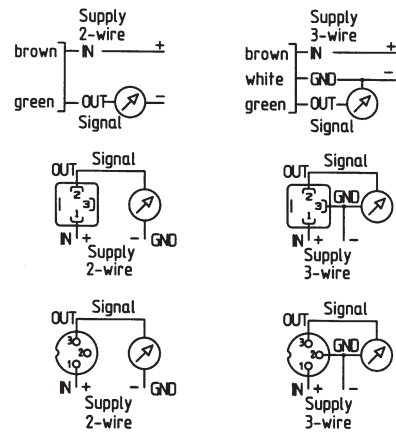
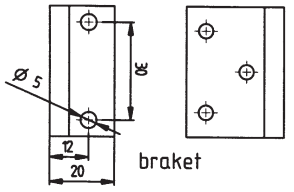
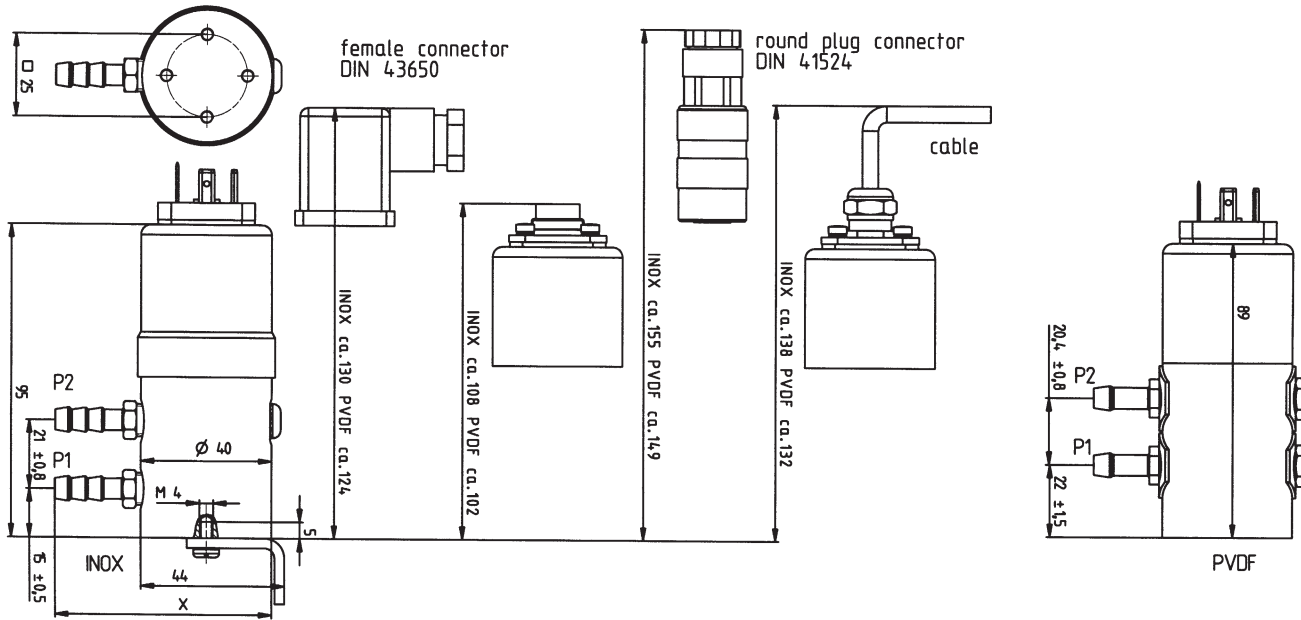
692

9 X X X X X X X X

压力范围 <sup>1</sup> (bar)	(bar)		P1	P2	(fs/°C)										
0 ... + 0.1	单边最大过载	0.6	0.6	TCO <	0.12 %										
0 ... + 0.2	单边最大过载	1.2	1.2	TCO <	0.12 %										
0 ... + 0.2	单边最大过载	0.6	0.6	TCO <	0.06 %										
0 ... + 0.25	单边最大过载	1.2	1.2	TCO <	0.1 %										
0 ... + 0.25	单边最大过载	0.6	0.6	TCO <	0.05 %										
0 ... + 0.3	单边最大过载	0.6	0.6	TCO <	0.04 %										
0 ... + 0.4	单边最大过载	1.2	1.2	TCO <	0.06 %										
0 ... + 0.4	单边最大过载	2	2	TCO <	0.1 %										
0 ... + 0.5	单边最大过载	1.2	1.2	TCO <	0.05 %										
0 ... + 0.5	单边最大过载	3	3	TCO <	0.12 %										
0 ... + 0.6	单边最大过载	1.2	1.2	TCO <	0.04 %										
0 ... + 0.6	单边最大过载	3	3	TCO <	0.1 %										
0 ... + 1	单边最大过载	2	2	TCO <	0.04 %										
0 ... + 1	单边最大过载	5	5	TCO <	0.1 %										
0 ... + 1.6	单边最大过载	3.2	3.2	TCO <	0.04 %										
0 ... + 1.6	单边最大过载	12	12	TCO <	0.15 %										
0 ... + 2.5	单边最大过载	5	5	TCO <	0.04 %										
0 ... + 2.5	单边最大过载	12	12	TCO <	0.1 %										
0 ... + 4	单边最大过载	8	8	TCO <	0.04 %										
0 ... + 4	单边最大过载	12	12	TCO <	0.06 %										
0 ... + 6	单边最大过载	12	12	TCO <	0.04 %										
0 ... + 10	单边最大过载	20	12	TCO <	0.04 %										
0 ... + 16	单边最大过载	32	12	TCO <	0.04 %										
0 ... + 25	单边最大过载	50	12	TCO <	0.04 %										
密封材料	FPM	Fluoro-elastomer (Viton)													
	EPDM	Ethylene propylene													
	NBR	Nitrile butadiene													
	MVQ	Silicone polymer													
校准	工厂校准	0													
	工厂校准, 调整零点与斜率				1										
输出与电源	0 - 5 V	11 - 33 VDC/24 VAC	+/-15 %	3线电缆											
	0 - 10 V	18 - 33 VDC/24 VAC	+/-15 %	3线电缆											
	0 - 20 mA	18 - 33 VDC/24 VAC	+/-15 %	3线电缆											
	4 - 20 mA	11 - 33 VDC		2线电缆											
电气连接 <sup>2</sup>	1.5米电缆, Pg 7(防护等级IP 65)														
	DIN 43650-A (防护等级IP 65)														
	圆插头 DIN 41524, 3-针(防护等级IP 65)														
压力连接	无连接件 (1/8 -27 NPT / PVDF G 1/8)														
	(可调整的型号)														
	Pressure-tube tip (CuZn nickel plated)	for tube Ø 4 mm													
	Pressure-tube tip (CuZn nickel plated)	for tube Ø 6 mm													
	Pressure-tube tip (PVDF)	for tube Ø 6 mm													
	Screw fitting (CuZn nickel plated)	for pipe Ø 6 mm													
	Screw fitting Inox 1.4305	for pipe Ø 6 mm													
	Screw fitting (CuZn nickel plated)	for pipe Ø 8 mm													
	Screw fitting Inox 1.4305	for pipe Ø 8 mm													
	Screw tip (PVDF)	for pipe Ø 6 mm													
	Screw tip (PVDF)	for pipe Ø 8 mm													
	Outside thread 7/16-20 UNF (CuZnvni)														
	Adapter G 1/8 inside	for pipe Ø 6 mm													
	Adapter G 1/8 outside with union nut (CuZn)	for pipe Ø 6 mm													
外壳材料	Inox 1.4305														
	PVDF (量程最大到6 bar														
	过压及系统压力最大12 bar)														
	2个压力孔(only Inox)														
附件	连接盒DIN 43650-A 带密封														
	(IP 65)														
	圆形插头(连接插座) DIN 41524 (IP 65)														
	安装支架														
	试认证														

1	0	3	5	1	0
1	0	3	5	2	4
1	0	1	9	9	9
1	0	4	5	5	2

1 Other pressure ranges on request.  
2 Without female connector.



				measure X
Inox	screw fitting for pipe on the outside Ø 6	SW1=10 SW2=12	L= ca. 28.5	L= ca. 69.5
	screw fitting for pipe on the outside Ø 8	SW1=12 SW2=14	L= ca. 30.5	L= ca. 71.5
Inox	adapter G1/8 inside thread	SW=14	L= ca. 14	L= ca. 55
CuZn	screw fitting for pipe on the outside Ø 6	SW1=10 SW2=12	L= ca. 28.5	L= ca. 69.5
	screw fitting for pipe on the outside Ø 8	SW1=12 SW2=14	L= ca. 30.5	L= ca. 71.5
CuZn	pressure tube for tube Ø 4	SW=10	L= 28	L= 69
	pressure tube for tube Ø 6	SW=10	L= 33	L= 74
PVDF	pressure fitting for pipe on the outside Ø 6	SW1=12	L= ca. 29.5	L= ca. 70.5
	pressure fitting for pipe on the outside Ø 8	SW1=14	L= ca. 32.5	L= ca. 73.5
PVDF	pressure tube for tube Ø 6	SW=10	L= 30	L= ca. 71

**Electromagnetic compatibility:**

CE conformity to EC directive 89/336 EEC (EMC) by application of harmonized standards EN 50081-1, EN 50081-2 and EN 50082-2.

Type of interference/Interference susceptibility	Test standard	Effects
Electrostatic discharge ESD	IEC 1000-4-2 8 kV air discharge / 4 kV contact discharge	No failure (criterion B)
High-frequency electromagnetic radiation (HF)	ENV 50140 10 V/m / 80...1000 MHz	No effect (criterion A)
Conducted HF interference	ENV 50141 10 V/m / 0.15 ... 80 MHz	No effect (criterion A)
Fast transients (burst)	IEC 801-4 2 kV	No failure (criterion B)
Magnetic fields 50 Hz 30 A/m	EN 61000-4-8	No effect (criterion A)
Type of interference/Emitted interference	Test standard	Effects
Conducted interference	EN 55022 0.15...30 MHz	No effect
Radiation from housing	30...1000 MHz, 10 meters	No effect

**Huba Control Switzerland**  
 Headquarters  
 Industriestrasse 17  
 CH-5436 Würenlos  
 Phone ++41 (0) 56 436 82 00  
 Fax ++41 (0) 56 436 82 82  
 e-mail: info.ch@hubacontrol.com

**Huba Control United Kingdom**  
 Unit 19 A Crawley Mill  
 Industrial Estate  
 GB-Witney Oxford OX29 9TJ  
 Phone 01 993 776 667  
 Fax 01 993 776 671  
 e-mail: info.uk@hubacontrol.com

**Huba Control France**  
 e-mail: info.fr@hubacontrol.com  
**Huba Control Germany**  
 e-mail: info.de@hubacontrol.com  
**Huba Control Netherlands**  
 e-mail: info.nl@hubacontrol.com

**Agent for:**

**Internet: www.hubacontrol.com**