

## Product Features

- PICMG 2.11 3U x 8HP Compliant Products
- Universal AC Input Models (90-264 VAC with Active PFC)
- 48 VDC Input Models (36 ~ 72 VDC Input Range)
- UL, CUL & TUV Safety Certifications
- Active Current share for Parallel Operation
- Hot-Swap / N+1 Redundant Operation



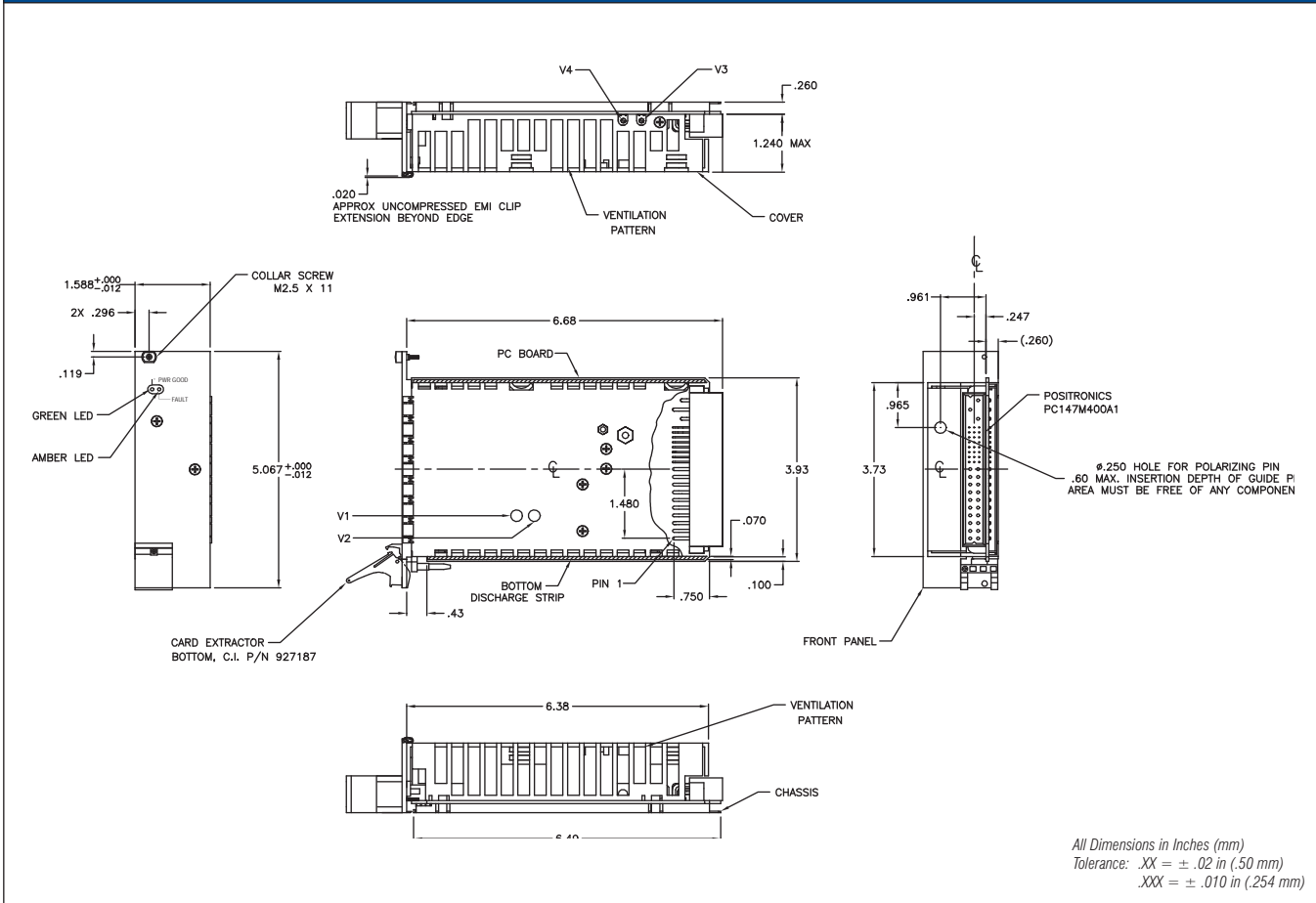
FEATURES	BENEFITS
No Minimum Load Required	Eliminates the need for preload on system backplane
Active Current Share	Increased M.T.B.F, Offers system scalability
Compact PCI 3U x 8 HP Package	Compatible with Industry Standard PICMG 2.11 Systems
Available in AC or DC Input Models	Single source for both versions

KEY MARKET SEGMENTS & APPLICATIONS	
■ Communications	■ Industrial Applications
■ Servers and Hubs	■ Test Equipment
■ Broadband Switches	■ Medical Instrumentation
■ Computer Peripherals	

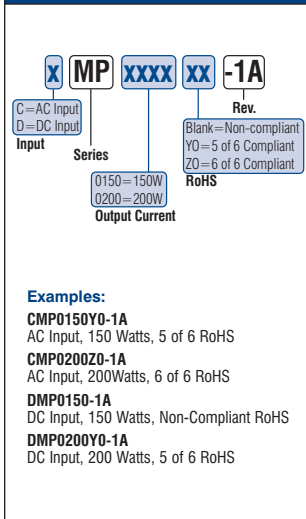
SPECIFICATIONS	150 & 200 Watt Compact PCI Switching Power Supplies With Universal AC or 48 VDC Input			
	CMP150	CMP200	DMP150	DMP200
Output Configuration	Universal AC Input (90-264) with Active PFC		48 VDC Input (Ranging from 36~72 VDC)	
Input Range	0.99 Typical @ 230 VAC Operation		-	
Power Factor	30A @ 120 VAC / 60A @ 240 VAC Cold Start, max.		40A max @ 48 VDC	
Inrush Current	70% typical at 110VAC, 74% typical at 220VAC (Full Load)		70% typical at 48VDC (Full Load)	
Efficiency	+5V @ 20A	+5V @ 25A	+5V @ 20A	+5V @ 25A
V1 Output	+3.3V @ 33A	+3.3V @ 35A	+3.3V @ 33A	+3.3V @ 35A
V2 Output	+12V @ 8A	+12V @ 8A	+12V @ 6A	+12V @ 8A
V3 Output	-12V @ 1.5A	-12V @ 1.5A	-12V @ 1.5A	-12V @ 1.5A
V4 Output	150 Watts	200 Watts	150 Watts	200 Watts
Maximum Output Power	IEC 61000-4-5 level 3 (CMP Models), IEC 61000-4-5 level 2 (CMP Models)			
Input Transient Protection	CISPR 22 class A / FCC part 15 class A			
EMI	±2% All Outputs (maximum)			
Line Regulation	±2% All Outputs except V4 = ±3% (maximum)			
Load Regulation	50mV or 1% pk-pk maximum, whichever is greater			
Output Ripple & Noise	Outputs are protected against overload and short circuit. Reset by cycling input power			
Overload Protection	All outputs are set at 125-135% of nominal. Reset by cycling input power			
Over Voltage Protection	0°C to 50°C at rated output power, derate 2.5% per °C up to 70°C			
Operating Temperature	Requires 400 linear feet/minute for full power operation			
Cooling	TTL Low signal when power supply temperature is out of specified limit			
Output Power Derating Signal	On V1 & V2, Compensates for voltage drop of up to 0.3V			
Remote Sense	TTL High or Open = Power supply OFF, DRIVE Low to Enable			
Remote Enable	TTL High or Open = Power supply ON, DRIVE Low to Disable			
Remote Inhibit	V1 & V2 Outputs only, +/-10% accuracy			
Current Share	Signal goes low after input / output failure			
Power Fail Signal	Green LED indicates Power Good. Amber LED indicates Power Fail			
LED Indicators	MIL STD-810D			
Shock & Vibration	2.0 pounds			
Weight	3U x 170 mm x 8HP (133 mm H x 170 mm L x 40 mm W)			
Dimensions	UL/cUL60950, CE Mark (LVD) TUV			
Safety Approvals				

Specifications listed assume 25°C Ambient Operating Temperature and Full Load Operation unless otherwise specified. This product is qualified for use in OEM equipment and is not appropriate for stand-alone operation. The information contained within this specification is believed to be true and correct at the time of publication, however, Cherokee International accepts no responsibility for consequences arising from printing errors or inaccuracies. The information and specifications contained herein are subject to change without notice.

## OUTLINE DRAWING



## PART NUMBER DEFINITION



## PIN OUT INFORMATION

PIN	PIN LENGTH	FUNCTION	DESCRIPTION	PIN	PIN LENGTH	FUNCTION	DESCRIPTION
1-4	MEDIUM	V1	V1 Output	32	MEDIUM	V2 ADJ	V2 Margining
5-12	MEDIUM	RTN	V1 & V2 Return	33	MEDIUM	V2 SENSE	Remote Sense (V2)
13-18	MEDIUM	V2	V2 Output	34	MEDIUM	S RTN	Sense Return
19	MEDIUM	RTN	V3 Return	35	MEDIUM	V1 SHARE	Current Share (V1)
20	MEDIUM	V3	V3 Output	36	MEDIUM	RESERVED	Not Used
21	MEDIUM	V4	V4 Output	37	MEDIUM	RESERVED	Not Used
22	MEDIUM	RTN	Signal Return	38	MEDIUM	DEG	Temp. Derate Signal
23	MEDIUM	RESERVED	Not Used	39	MEDIUM	INH	Inhibit
24	MEDIUM	RTN	V4 Return	40	MEDIUM	RESERVED	Not Used
25	MEDIUM	RESERVED	Not Used	41	MEDIUM	V2 SHARE	Current Share (V2)
26	MEDIUM	RESERVED	Not Used	42	MEDIUM	FAIL	Power Fail
27	SHORT	EN	Enable	43	MEDIUM	RESERVED	Not Used
28	MEDIUM	RESERVED	Not Used	44	MEDIUM	RESERVED	Not Used
29	MEDIUM	V1 ADJ	V1 Margining	45	LONG	CGND	Chassis Ground
30	MEDIUM	V1 SENSE	Remote Sense (V1)	46	MEDIUM	ACN/+DC	AC Neutral or +DC Input
31	MEDIUM	RESERVED	Not Used	47	MEDIUM	ACL/-DC	AC Line or -DC Input

Cherokee International reserves the right to make changes to the product(s) or information contained herein without notice. No liability is assumed as a result of their use or application. No rights under any patent accompany the sale of any such product(s) or information.

### Cherokee Headquarters

2841 Dow Avenue  
Tustin, CA 92780, USA  
sales@cherokeepwr.com

P: 714.544.6665  
F: 714.838.4742

### Cherokee Europe

Boulevard de l'Europe, 131  
B-1301 Wavre, Belgium  
sales@cherokeepwr.be

P: +32.10.438.211  
F: +32.10.438.212

### Cherokee International China

1353 Chenqiao Road, Shanghai Fengpu Industrial Park  
Shanghai 201401, China  
sales.china@cherokeepwr.com

P: 8621.6710.8910  
F: 8621.6710.8908

### PowerTel India Pvt.

Unit #166, S.D.F.VI (Phase1)  
Seepz, Andheri (East)  
Mumbai, India 400096

### Cherokee India Pvt. Ltd

Unit No. 95 SDF 111 Building  
Seepz, Andheri (East)  
Mumbai, India 400096