

**KEY FEATURES**

- Power Module for PCB Mountable
- SMALL SIZE :1.0 x 1.0 x 0.433 Inches
- HIGH EFFICIENCY UP TO 89%
- 2:1 Input Range and 1600 VDC Isolation
- Remote ON/OFF Control (Optional)
- Operating Temperature: -40°C...+85°C (with derating)
- 2 Years Product Warranty


**ELECTRICAL SPECIFICATIONS**

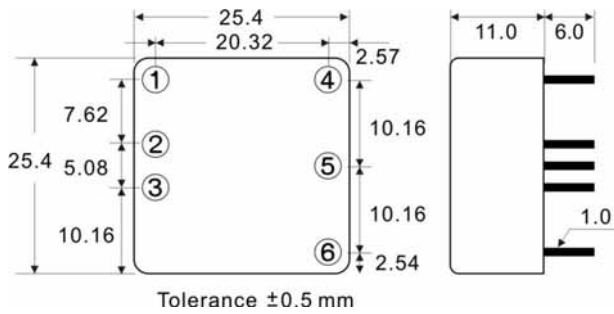
Model No.	SW15-12-3.3S	SW15-12-5S	SW15-12-12S	SW15-12-15S
Input Voltage (V.DC.)	12V (9-18V)	12V (9-18V)	12V (9-18V)	12V (9-18V)
Output Voltage (V.DC.)	3.3V / 3500mA	5V / 3000mA	12V / 1250mA	15V / 1000mA
Efficiency	85%	89%	88%	88%
Capacitor Load (max)	1600μF	1600μF	470μF	330μF

Model No.	SW15-24-3.3S	SW15-24-5S	SW15-24-12S	SW15-24-15S
Input Voltage (V.DC.)	24V (18-36V)	24V (18-36V)	24V (18-36V)	24V (18-36V)
Output Voltage (V.DC.)	3.3V / 3500mA	5V / 3000mA	12V / 1250mA	15V / 1000mA
Efficiency	86%	89%	89%	89%
Capacitor Load (max)	1600μF	1600μF	470μF	330μF

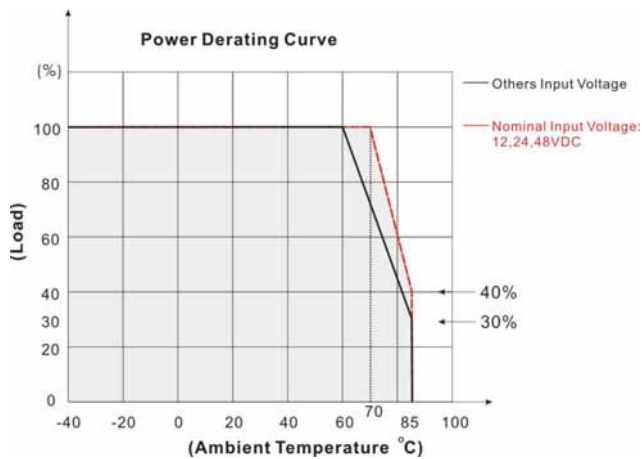
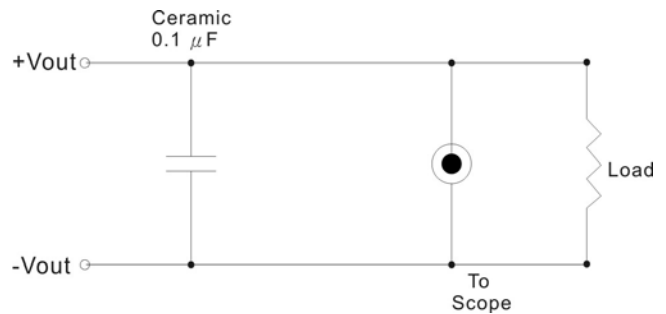
Model No.	SW15-48-3.3S	SW15-48-5S	SW15-48-12S	SW15-48-15S
Input Voltage (V.DC.)	48V (36-75V)	48V (36-75V)	48V (36-75V)	48V (36-75V)
Output Voltage (V.DC.)	3.3V / 3500mA	5V / 3000mA	12V / 1250mA	15V / 1000mA
Efficiency	84%	88%	88%	88%
Capacitor Load (max)	1600μF	1600μF	470μF	330μF

Model No.	( Single Output )	SW15-12-3.3S SW15-24-3.3S SW15-48-3.3S	SW15-12-5S SW15-24-5S SW15-48-5S	SW15-12-12S SW15-24-12S SW15-48-12S	SW15-12-15S SW15-24-15S SW15-48-15S
Max Output Wattage (W)		11.55W	15W	15W	15W
Input	Input Filter	L-C type			
Output	Voltage (V.DC.)	3.3	5	12	15
	Voltage Accuracy	±2%			
	Current (mA) max	3500	3000	1250	1000
	Line Regulation (LL-HL) (typ.)	±0.5%			
	Load Regulation (10-100%) (typ.)	±1%			
	Ripple	75 mV max.		100mV max.	
	Noise	100 mV max.		125mV max.	
	Switching Frequency	450KHz		300KHz	
Protection	Over Power Protection	Works over 120% of rating and recovers automatically.			
	Over Voltage Protection	Zener diode clamp			
	Short Circuit Protection	Current limit, auto-recovery			
Isolation	Voltage	1600 VDC.			
	Resistance	10 <sup>8</sup> ohms			
	Capacitance	1000 pF			
Environment	Operating Temperature	-40°C...+85°C (with derating)			
	Storage Temperature	-55°C...+105°C			
	Case Temperature	+105°C max.			
	Temperature Coefficient	±0.02% Per°C			
	Humidity	95% RH			
	MTBF	>800,000 h @ 25°C (MIL-HDBK-217F)			
Physical	Dimension (L x W x H)	1.0 x 1.0 x 0.433 Inches ( 25.4 x 25.4 x 11.0 mm ) Tolerance ±0.5 mm			
	Case Material	six-side shielded Aluminum with Non-Conductive base, Black Anodize			
	Weight	15g			
	Cooling Method	Free-air convection			

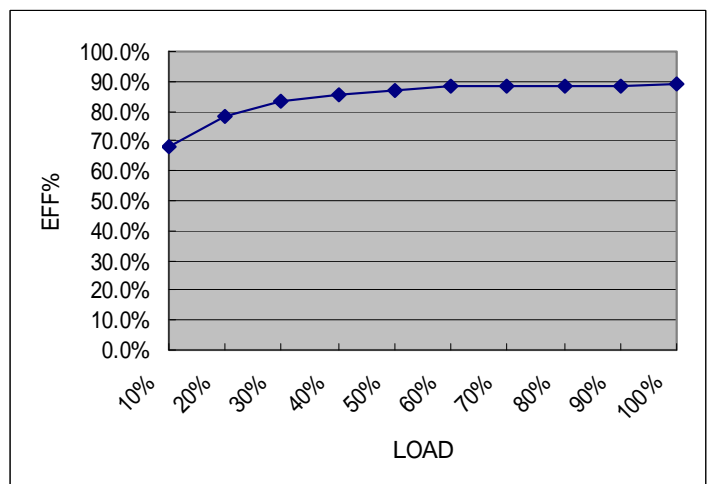
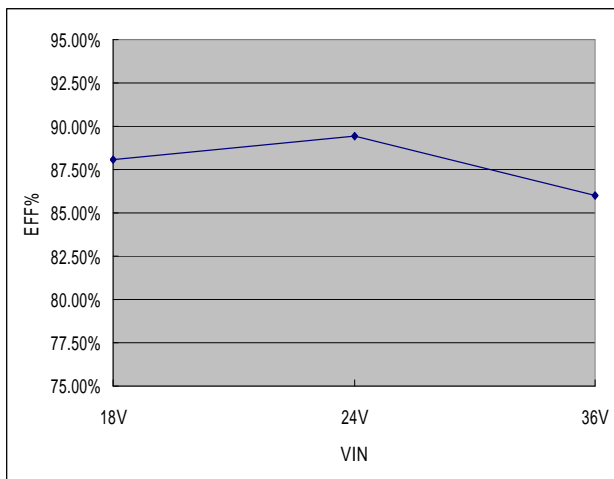
All specifications valid at nominal input voltage, full load and +25°C after warm-up time unless otherwise stated.

**MECHANICAL DIMENSION ( Top View )**


PIN#	Single
1	ON / OFF CTL (Optional)
2	-DC IN
3	+DC IN
4	-DC OUT
5	NO PIN
6	+DC OUT

**DERATING**

**OUTPUT NOISE**


The output noise is measured with 0.1 $\mu$ F tantalum capacitor.

**SW15-24-5S Efficiency**
**Load=100%(3A)**
**VIN=24 VDC**


**SW15 SERIES**

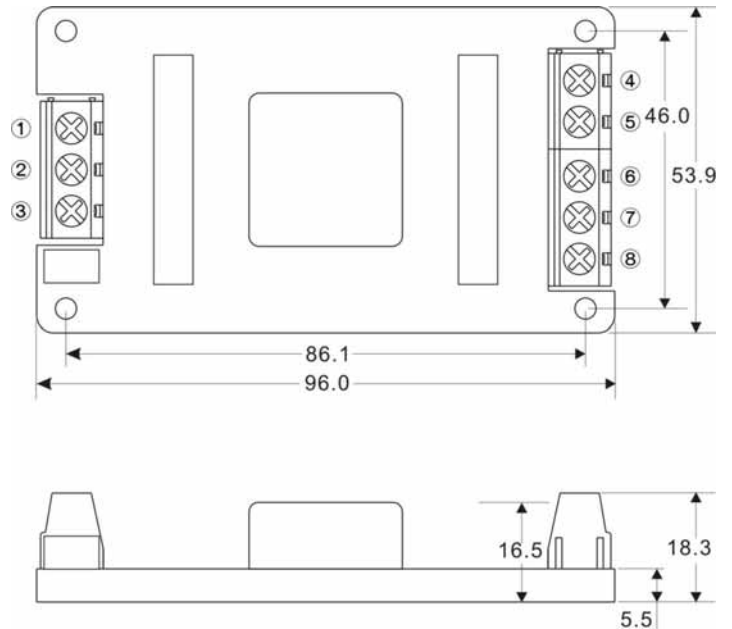
**15 Watts**

**SCREW TERMINAL**

**SW15-A2**



PIN#	Single
1	CTRL
2	-DC IN
3	+DC IN
4	-DC OUT
5	NO CONNECT
6	NO CONNECT
7	NO CONNECT
8	+DC OUT



**SW15-A5**



PIN#	Single
1	CTRL
2	-DC IN
3	+DC IN
4	-DC OUT
5	NO CONNECT
6	NO CONNECT
7	NO CONNECT
8	+DC OUT

