

# SONY

Digital Gauge  
Display **LT30** SERIES

*Compact, lightweight and  
panel mountable display*



## DIGITAL DISPLAY UNITS

Display for Compact High-Precision Digital Gauging System DK Series

- Minimum display resolution : 0.1 $\mu$ m
- Zero point detection
- BCD and RS-232C I/O models to choose from
- Compact and lightweight  
: DIN standard size (W 72mm x H 72mm)
- Comparator
- Reset/Pre-set
- Alarm for exceeded max. response speed  
and disconnected measuring unit
- Setting value storage
- 2-axis ADD/SUB (2-axis model only)

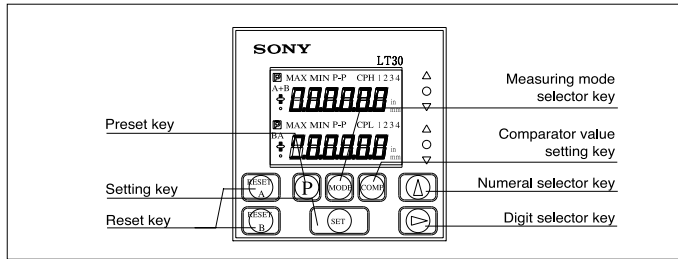


Sony Manufacturing Systems Corporation



Isehara Center is registered to ISO 9001 (Quality)

## Part Names



## Input/output Pins

- I/O connector
  - Inputs : Reset, Peak hold start, Peak hold pause
  - Outputs : GO/NO GO
- Power input connector : 12 to 24V DC power
- BCD (36-pin half-pitch connector)
  - Inputs : Comparator value selection (4 settings), Mode selection (Current value, Maximum measured value, Minimum measured value, P-P value)
  - Outputs (Open collector) : Measured data (6 digits), Alarm output
- RS-232C (8-pin mini-DIN connector)
  - Reset, Preset value setting/recall, Peak hold start, Peak hold pause, Comparator value setting, Mode selection and output (Current value, Maximum measured value, Minimum measured value, P-P value)
- RS-TRG Trigger inputs for RS-232C data outputs

## Separate accessories (Connectable to LT30-1GC/2GC)

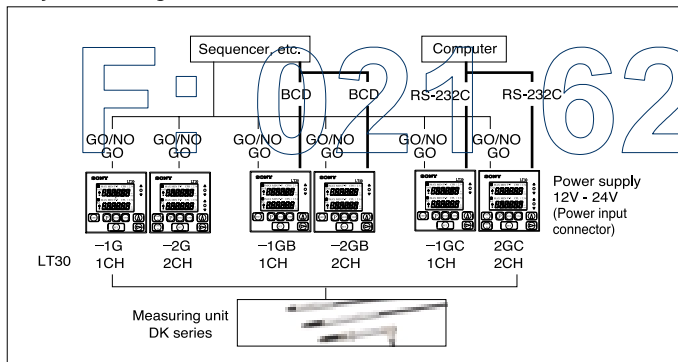
- RS-232C cable
  - DZ252 : D-sub 9-pin
  - DZ253A : D-sub 25-pin

## Specifications

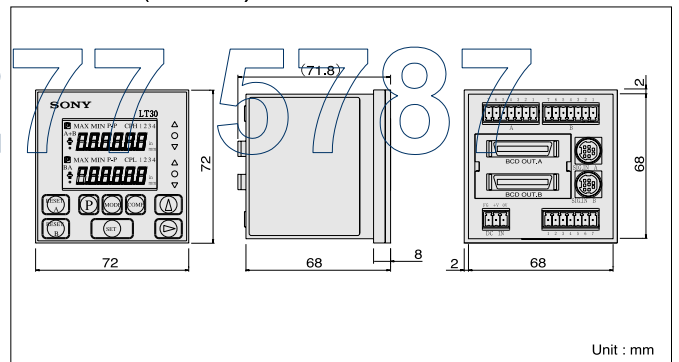
Model	LT30-1G	LT30-1GB	LT30-1GC	LT30-2G	LT30-2GB	LT30-2GC
Display	6-digit backlit LCD display, mode indication					
I/O	Measuring unit inputs	1CH		2CH		
	I/O connector	-		-		
	BCD	-		-		
	RS-232C	-		-		
	RS-TRG *1	-		-		
Zero point detection	By setting "use zero point" by parameter and detecting the zero point, the zero point is set at zero or at a preset value.					
Reset	Reset key or external input (through I/O connector) *Zero point is referenced by setting "use zero point" by parameter.					
Preset	Preset value is set with preset key and a value is recalled with reset key or input from a terminal *Zero point is used as the preset value by setting "use zero point" by parameter					
Comparator	3-range comparator, comparator value setting with key switch GO / NO GO evaluation is displayed by LED and output through I/O connector (photo coupler)					
Peak hold	Measuring of max./min./p-p value started by reset key or by start input through I/O connector					
pause	With pause input at I/O even if the count value exceeds max./min./p-p value, those values do not change when there is pause input					
Mode setting	Measuring mode setting with mode key					
Input resolution	Selected from 0.1 / 0.5 / 1 / 5 / 10μm (Set at the resolution of the measuring unit)					
Display resolution	Selected from 0.1 / 0.5 / 1 / 5 / 10μm (Resolution cannot be set higher than that of the measuring unit)					
Direction	Selectable					
Maximum frequency response speed	42m / min.(at 0.1μm resolution), 100m / min.(at 0.5μm resolution)					
ADD/SUB	Selection of A+B, A-B, B-A made by setting of direction					
Alarm	Response speed exceeded or measuring unit disconnected, level alarm Display on LCD, all the comparator outputs on terminals OFF					
Data storage	Resolution, directions, comparator values, preset values, modes					
Key lock	Key lock / cancellation by a long push of digit selector key					
Operating temperature	0°C - 40°C					
Storage temperature	-10°C - 50°C					
Power supply	Triple connector: 10.8 V DC -26.4 V DC					
Power consumption	5W	5.5W	5W	8.5W	9W	8.5W
Mass	App. 200g	App. 230g	App. 220g	App. 210g	App. 270g	App. 230g
Applicable measuring unit	DK series					

\*1 Trigger inputs for RS-232C data outputs

## System Configuration



## Dimensions (LT30-2GB)



**⚠ Safety Notice:** For your safety, please read the instruction manual carefully before using the product. ● Specifications and appearance are subject to change without prior notice.

## Sony Manufacturing Systems Corporation

Sony Manufacturing Systems Corporation  
Measuring Systems Sales Dept.  
Suzukawa 45 Isehara-shi, Kanagawa-ken, 259-1146, Japan  
Tel: +81-463-92-7971 Fax: +81-463-92-7979  
http://www.sonysms.co.jp

Sony Taiwan Limited  
FA Marketing Group  
6F, 145 Changchun Road, Taipei 104, Taiwan  
Tel: +886-2-2522-9760 Fax: +886-2-2522-2396  
http://www.sony.com.tw/company/family/FA/FA.asp

http://www.sonysms.co.jp/

This catalog follows the state at 8, 2005.

Sony Manufacturing Systems America, Inc.  
20381 Hermans Circle Lake Forest, California 92630-8701  
Tel: +1-949-770-8400 Fax: +1-949-770-8408  
http://www.sonysms.com

Sony Manufacturing Systems Europe  
Semiconductor & Electronic Solutions  
Measuring Systems  
Hedelfinger Strasse 61, D-70327 Stuttgart, Germany  
Tel: +49-711-5858-777 Fax: +49-711-580-715  
http://www.sonymanufacturing.com



Used material: 100% recycled paper, recyclable  
Zero-VOC (Volatile Organic Compound) vegetable oil ink  
©SONY catalog #497

000E-0508-00-01A