

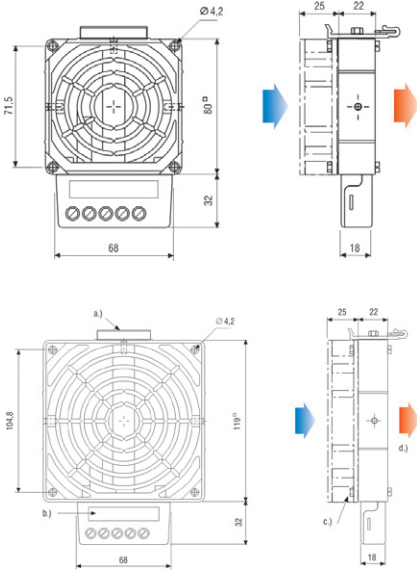
SPACE-SAVING FAN HEATER

HV 031 / HVL 031 | 100W to 400W



- > Compact
- > Flat design
- > High air through-flow
- > Temperature safety cut-out
- > Clip fixing

Compact high-performance fan heater prevents formation of condensation and frost and provides an evenly distributed interior air temperature in enclosures with electric/electronic components. This fan heater may only be operated together with a fan but is also available without fan for self-assembly (HV 031) and with pre-configured fan (HVL 031).



- a.) Clip
- b.) Type plate
- c.) Axial fan
- d.) Air direction

TECHNICAL DATA

| | |
|----------------------------------|--|
| HV 031 | Heater without fan (fan mounting kit included) |
| HVL 031 | Heater with fan |
| Heating element | high performance cartridge |
| Temperature safety cut-out | to protect against overheating in case of fan failure, automatic reset |
| Heater body | die-cast aluminium (glass bead blasted) |
| Connection | 3-pole screw connector 2.5mm ² , clamping torque 0.8Nm max. |
| Connection casing | plastic according to UL94 V-0, black |
| Mounting | clip for 35mm DIN rail, EN 60715 |
| Fitting position | vertical airflow (air outlet up) |
| Operating/Storage temperature | -45 to +70°C (-49 to +158°F) |
| Operating/Storage humidity | max. 90% RH (non-condensing) |
| Protection type/Protection class | IP20 / I (earthed) |
| Approvals | UL File No. E187294 (230V only: VDE) |
| HVL 031 only: | |
| Axial fan, ball bearing | airflow see table service life 50,000h at +25°C (+77°F) |
| Connection (axial fan) | 2-pole screw connector 2.5mm ² (L2/N2) |



Important note: Heater may only be operated together with fan.
Danger of overheating!

| Art. No. HV 031 230VAC, 50/60 Hz | Art. No. HV 031 120VAC, 50/60 Hz | Heating capacity | Pre-fuse T (time-delay) | | Dimensions | Weight (approx.) |
|-------------------------------------|-------------------------------------|------------------|-------------------------|--------|------------------|------------------|
| | | | 230VAC | 120VAC | | |
| 03100.0-00 | 03100.9-00 | 100W | 1A | 1.4A | 80 x 112 x 22mm | 0.4kg |
| 03101.0-00 | 03101.9-00 | 150W | 1.25A | 2A | 80 x 112 x 22mm | 0.4kg |
| 03110.0-00 | 03110.9-00 | 200W | 1.4A | 2.5A | 119 x 151 x 22mm | 0.5kg |
| 03111.0-00 | 03111.9-00 | 300W | 2A | 4A | 119 x 151 x 22mm | 0.5kg |
| 03112.0-00 | 03112.9-00 | 400W | 4A | 5A | 119 x 151 x 22mm | 0.5kg |

| Art. No. HVL 031 230VAC, 50/60 Hz | Art. No. HVL 031 120VAC, 50/60 Hz | Heating capacity | Pre-fuse T (time-delay) | | Airflow min., free flow | Dimensions | Weight (approx.) |
|--------------------------------------|--------------------------------------|------------------|-------------------------|--------|-------------------------|------------------|------------------|
| | | | 230VAC | 120VAC | | | |
| 03102.0-00 | 03102.9-00 | 100W | 1A | 1.4A | 35m ³ /h | 80 x 112 x 47mm | 0,6 kg |
| 03103.0-00 | 03103.9-00 | 150W | 1.25A | 2A | 35m ³ /h | 80 x 112 x 47mm | 0,6 kg |
| 03113.0-00 | 03113.9-00 | 200W | 1.4A | 2.5A | 108m ³ /h | 119 x 151 x 47mm | 0,9 kg |
| 03114.0-00 | 03114.9-00 | 300W | 2A | 4A | 108m ³ /h | 119 x 151 x 47mm | 0,9 kg |
| 03115.0-00 | 03115.9-00 | 400W | 4A | 5A | 108m ³ /h | 119 x 151 x 47mm | 0,9 kg |