

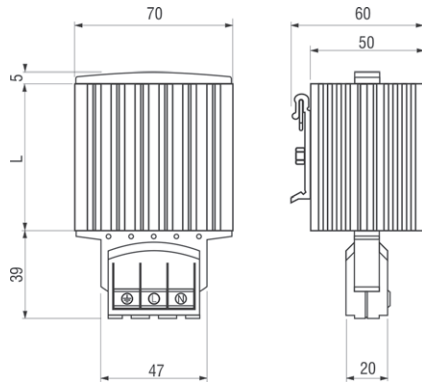
# SEMICONDUCTOR HEATER

HG 140 | 15W to 150W



- > Pressure clamp connectors
- > Dynamic heating up
- > Wide voltage range
- > Energy saving
- > Clip fixing
- > Quick installation

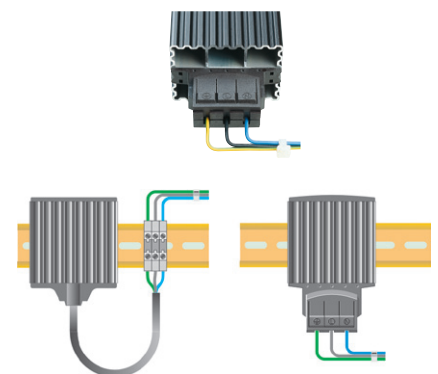
These heaters are used in enclosures where damage from condensation must be prevented, or where the temperature may not fall below a minimum value. The aluminium profile heater body design has a chimney effect and distributes the heat evenly. The heaters are designed for permanent operation. Pressure clamp connectors save time and simplify installation.



## TECHNICAL DATA

Operating voltage	120-240V AC/DC <sup>1</sup> (min. 110V, max. 265V)
Heating element	PTC resistor - temperature limiting
Heater body	extruded aluminium profile, anodised
Connection	3 pressure clamps for stranded wire 0.5-1.5mm <sup>2</sup> (with wire end ferrule) and rigid wire 0.5- 2.5mm <sup>2</sup>
Connection casing	plastic according to UL94 V-0, black
Mounting	clip for 35mm DIN rail, EN 60715
Fitting position	vertical airflow (air outlet up, connection on bottom)
Operating/Storage temperature	-45 to +70°C (-49 to +158°F)
Operating/Storage humidity	max. 90% RH (non-condensing)
Protection type/Protection class	IP20 / I (earthed)
Approvals	VDE + UL File No. E150057
Accessoires	screw fixing, Art. No. 09024.0-00 (1 packing unit = 2 pieces)
Note	other voltages on request

<sup>1</sup> Operating with voltages below 140V AC/DC reduces heating performance by approx. 10%.



Art. No.	Heating capacity <sup>2</sup>	Inrush current max.	Pre-fuse T (time-delay)	Length (L)	Weight (approx.)
14000.0-00	15W	1.5A	1A	65mm	0.3kg
14001.0-00	30W	3.0A	2.5A	65mm	0.3kg
14003.0-00	45W	3.5A	2.5A	65mm	0.3kg
14005.0-00	60W	2.5A	2.5A	140mm	0.4kg
14006.0-00	75W	4.0A	4A	140mm	0.5kg
14007.0-00	100W	4.5A	4A	140mm	0.5kg
14008.0-00	150W	9.0A	6.3A	220mm	0.7kg

<sup>2</sup> at +20°C (+68°F) ambient temperature