

TAMPER-PROOF THERMOSTAT (PRE-SET)

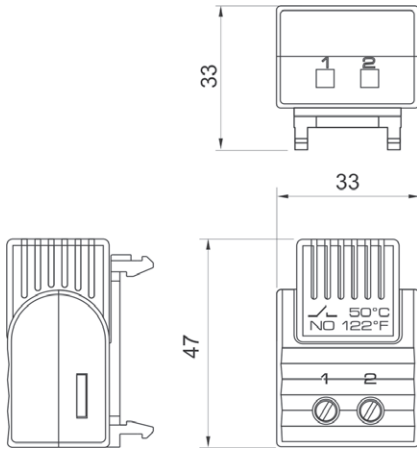
FTO 011 / FTS 011



- > Small size
- > Easy to install
- > Default temperature settings
- > High switching accuracy

Tamper-proof (Pre-set) Thermostat FTO 011: Contact breaker/NC (red casing) for regulating heaters or for switching signal devices when temperature has fallen below the minimum value. The contact opens when temperature is rising.

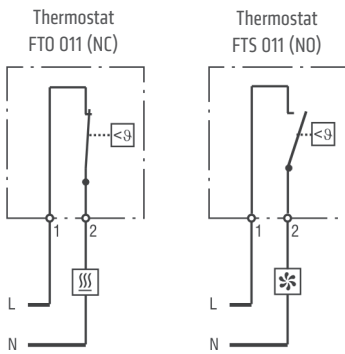
Tamper-proof (Pre-set) Thermostat FTS 011: Contact maker/NO (blue casing) for regulating filter fans, heat exchangers, cooling devices or for switching signal devices when temperature limit has been exceeded. The contact closes when temperature is rising.



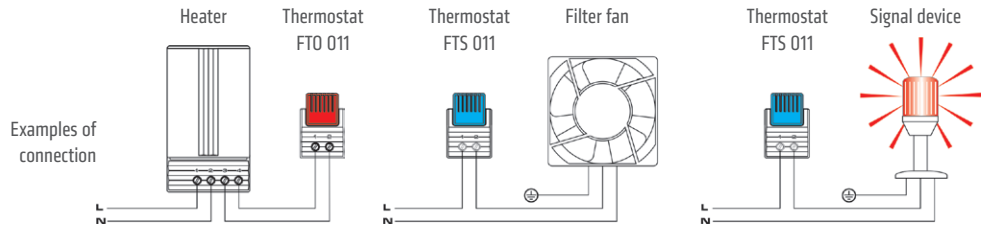
TECHNICAL DATA

Sensor element	thermostatic bimetal
Contact type	snap-action contact
Service life	> 100,000 cycles
Max. switching capacity	250VAC, 5 (1.6) A 120VAC, 10 (2) A DC 30W
Max. inrush current	AC 16A for 10 sec.
Connection	2-pole terminal for 2.5mm ² , torque 0.8Nm max.
Mounting	clip for 35mm DIN rail, EN 60715
Casing	plastic according to UL94 V-0, light grey
Dimensions	47 x 33 x 33mm
Weight	approx. 30g
Fitting position	variable
Operating/Storage temperature	-40 to +80°C (-40 to +176°F) / -45 to +80°C (-49 to +176°F)
Operating/Storage humidity	max. 95% RH (non-condensing)
Protection type	IP20
Approvals	VDE + UL File No. E164102

Connection diagrams



- Heater
- Filter fan, Cooling equipment, Signal device



Art. No.	Contact	Switch-off temperature	Switch-on temperature
01160.0-00	Contact breaker (NC)	+15°C / +59°F (±5K tolerance)	+5°C / +41°F (±5K tolerance)
01160.0-01	Contact breaker (NC)	+25°C / +77°F (±5K tolerance)	+15°C / +59°F (±5K tolerance)
Art. No.	Contact	Switch-on temperature	Switch-off temperature
01161.0-00	Contact maker (NO)	+50°C / +122°F (±6K tolerance)	+40°C / +104°F (±7K tolerance)
01161.0-01	Contact maker (NO)	+60°C / +140°F (±6K tolerance)	+50°C / +122°F (±7K tolerance)
01161.0-02	Contact maker (NO)	+35°C / +95°F (±6K tolerance)	+25°C / +77°F (±7K tolerance)

Note: Other switch-off and switch-on temperatures on request.