

EA-PS 1000 5000W - 120000W

开关模式直流源 / SWITCHED DC CURRENT SOURCES



EA-PS 1000

- 高效 >85%
- 输出功率: 5kW 至 120kW
- 输出电压: 0...20V 至 0...900V
- 输出电流: 0...3 A 至 0...6000A
- 调整偏差 <2%
- 纹波 (300 Hz) <2%
- 恒压和恒流调整
- 电压和电流0...100%可调
- 有电压、电流显示仪表
- 通过0...10V电压对U / I编程
- 通过0...10V电压监控U / I
- 直流输出远距离“开/关”
- 电源输入参数3 x 400V AC, PFC值 >0.95
- 浪涌电流限制
- 用铜条当直流输出端
- 可选项:
 - 用电脑编程 (RS485 / RS232 / LAN)
 - 绝缘模拟放大器
 - 远程感测
 - 调整偏差 <1%
 - 纹波 (300 Hz) <1%

- High efficiency >85%
- Output power ratings: 5kW up to 120kW
- Output voltages: 0...20V up to 0...900V
- Output currents: 0...3 A up to 0...6000A
- Regulation deviation <2%
- Ripple (300 Hz) <2%
- Constant voltage and current regulation
- Voltage and current adjustable 0...100%
- Meters for voltage and current
- U / I programmable via 0...10V
- U / I monitoring via 0...10V
- Remote „on/off“ for DC output
- Mains input 3 x 400V_{AC}, Power factor >0.95
- Inrush current limit
- DC output connector via copper bars
- Options:
 - Programming via PC (RS485 / RS232 / LAN)
 - Isolated analogue amplifiers
 - Remote sensing
 - Regulation deviation <1%
 - Ripple (300 Hz) <1%

概要

EA-PS 1000系列为可调重型开关电源, 输出电压高达900V, 电流达6000A, 输出功率至120kW。(按需还提供高达1000V电压/40000A电流/800kW功率的型号) 主要应用于大功率环境(如: 表面处理, 水净化), 及多种工业应用, 如给马达发动机、直流发动机等供电; 还可用于自动下线检测系统的测试, 如: 接触器、继电器、开关、断路器以及一般重型直流元件。

所有型号都能经0...10V电压, 如PLC(可编程控制器), 远距离控制和回读。有些型号还配有输出电压和电流调节用10圈电位器, 及电压与电流表。另外, 通过外部面板EA-PS280也能对产品进行控制。

本系列所有型号都有过载保护和短路保护, 配有远程感测和电脑接口(RS232/RS485) 可选。按需还提供以太网(LAN)接口。所有型号的输入参数为3x400V, 50-60Hz。

General

The EA-PS 1000 series is a range of adjustable, heavy-duty, switched-mode power supplies offering standard output voltages of up to 900V, output currents of up to 6000A and output powers ratings of up to 120kW (output voltage/current/power of up to 1000V/40000A/800kW upon request). This series is used in high-power environments such as electroplating (e.g. surface treatment, water purification), multiple industrial applications such as powering of electric engine starters, DC motors etc. and also in automatic end-of-line test systems for the testing of contactors, relays, switches, breakers and heavy duty DC components in general.

All units can be remotely controlled and read back via 0...10V, e.g via a PLC. Depending on the model, they are equipped with 10-turn potentiometers for voltage and current adjustment and volt- and amperemeters. Furthermore, all models can be controlled via the optional, external and comfortable user panel EA-PS 280.

All units are protected against overload and short-circuit and can be equipped with remote sensing and computer interface (RS232/RS485) as an option. An Ethernet interface (LAN) is available upon request as well. All units have a 3 x 400V, 50-60Hz mains input.

EA-PS 1000-6KW 2700W - 6000W

开关模式直流源 / SWITCHED DC CURRENT SOURCES



可选件 EA-PS 280



EA-PS 1020-250



- 高效, 效率>85%
- 输出功率: 2700W 至 6000W
- 输出电压: 0...20V 至 0...900V
- 输出电流: 0...3 A 至 0...250A
- 恒压和恒流调整
- 三位数LED显示器, 显示电压和电流
- 通过0...10V电压对U / I编程
- 通过0...10V电压监控U / I
- 直流输出远距离“开/关”
- 工作温度0-35°C (按需也可做40°C)
- 电源输入参数3 x 400V +/-10% 50-60Hz, P.F. >0.95
- 浪涌电流限制
- 风扇制冷
- 19"结构产品采用不锈钢外壳
- 用铜条当直流输出端
- 可选项
 - 用电脑编程 (RS485 / RS232 / LAN)
 - 绝缘模拟放大器
 - 远程感测
 - 调整偏差 <1%
 - 纹波(300 Hz) <1%

- **High efficiency >85%**
- **Output power ratings: 2700W up to 6000W**
- **Output voltages: 0...20V up to 0...900V**
- **Output currents: 0...3A up to 0...250A**
- **Constant voltage and current regulation**
- **3-digit LED display for voltage and current**
- **U / I programmable via 0...10V**
- **U / I monitoring via 0...10V**
- **Remote „on/off“ for DC output**
- **Operation temp range 0-35°C (40°C on req.)**
- **Mains input 3 x 400V +/-10% 50-60Hz, P.F. >0.95**
- **Inrush current limiter**
- **Air cooling by fans**
- **Stainless steel enclosure for 19" rack systems**
- **DC output connector via copper bars**
- **Options**
 - **Programming via PC (RS485/RS232/LAN)**
 - **Isolated analogue amplifiers**
 - **Remote sensing**
 - **Regulation deviation <1%**
 - **Ripple (300 Hz) <1%**

技术参数	Technical Data	EA-PS 1020-250	EA-PS 1040-150	EA-PS 1060-100	EA-PS 1080-60
输入电压	Input voltage	3x 400 +/- 10%	3x 400 +/- 10%	3x 400 +/- 10%	3x 400 +/- 10%
-频率	-Frequency	50...60Hz	50...60Hz	50...60Hz	50...60Hz
输出电压	Output voltage	0...20V	0...40V	0...60V	0...80V
-稳定度	-Stability	<2%	<2%	<2%	<2%
-纹波	-Ripple	<2%	<2%	<2%	<2%
输出电流	Output current	0...250A	0...150A	0...100A	0...60A
输出功率	Output power	5000W	6000W	6000W	4800W
尺寸 (W H D)	Dimensions (W H D)	19" 4U 510mm	19" 4U 510mm	19" 4U 510mm	19" 4U 510mm
重量	Weight	22kg	22kg	22kg	22kg

技术参数	Technical Data	EA-PS 1150-40	EA-PS 1300-20	EA-PS 1600-10	EA-PS 1900-3
输入电压	Input voltage	3x 400 +/- 10%	3x 400 +/- 10%	3x 400 +/- 10%	3x 400 +/- 10%
-频率	-Frequency	50...60Hz	50...60Hz	50...60Hz	50...60Hz
输出电压	Output voltage	0...150V	0...300V	0...600V	0...900V
-稳定度	-Stability	<2%	<2%	<2%	<2%
-纹波	-Ripple	<2%	<2%	<2%	<2%
输出电流	Output current	0...40A	0...20A	0...10A	0...3A
输出功率	Output power	6000W	6000W	6000W	2700W
尺寸 (W H D)	Dimensions (W H D)	19" 4U 510mm	19" 4U 510mm	19" 4U 510mm	19" 4U 510mm
重量	Weight	22kg	22kg	22kg	22kg

EA-PS 1000-15KW 14000W - 18000W

开关模式直流源 / SWITCHED DC CURRENT SOURCES



可选件 EA-PS 280



EA-PS 1020-750

- 高效, 效率>85%
- 输出功率: 14kW至18kW
- 输出电压: 0...20V 至 0...900V
- 输出电流: 0...20 A 至 0...750A
- 恒压和恒流调整
- 三位数LED显示器, 显示电压和电流
- 通过0...10V电压对U / I编程
- 通过0...10V电压监控U / I
- 直流输出远距离“开/关”
- 工作温度0-35°C (按需也可做40°C)
- 电源输入参数3 x 400V +/-10% 50-60Hz, P.F. >0,95
- 浪涌电流限制
- 风扇制冷
- 19"结构产品采用不锈钢外壳
- 用铜条当直流输出端
- 可选项
 - 用电脑编程 (RS485 / RS232 / LAN)
 - 绝缘模拟放大器
 - 远程感测
 - 调整偏差 <1%
 - 纹波 (300 Hz) <1%

- **High efficiency >85%**
- **Output power ratings: 14kW up to 18kW**
- **Output voltages: 0...20V up to 0...900V**
- **Output currents: 0...20A up to 0...750A**
- **Constant voltage and current regulation**
- **3-digit LED display for voltage and current**
- **U / I programmable via 0...10V**
- **U / I monitoring via 0...10V**
- **Remote „on/off“ for DC output**
- **Operation temp range 0-35°C (40°C on req.)**
- **Mains input 3 x 400V +/-10% 50-60Hz, P.F. >0.95**
- **Inrush current limit**
- **Air cooling by fans**
- **Stainless steel enclosure for 19" rack systems**
- **DC output connection via copper bars**
- **Options**
 - **Programming via PC (RS485/RS232/LAN)**
 - **Insulated analogue amplifiers**
 - **Remote sensing**
 - **Regulation deviation <1%**
 - **Ripple (300 Hz) <1%**

技术参数	Technical Data	EA-PS 1020-750	EA-PS 1040-350	EA-PS 1060-250	EA-PS 1080-200
输入电压	Input voltage	3x 400 +/- 10%	3x 400 +/- 10%	3x 400 +/- 10%	3x 400 +/- 10%
-频率	-Frequency	50...60Hz	50...60Hz	50...60Hz	50...60Hz
输出电压	Output voltage	0...20V	0...40V	0...60V	0...80V
-稳定性	-Stability	<2%	<2%	<2%	<2%
-纹波	-Ripple	<2%	<2%	<2%	<2%
输出电流	Output current	0...750A	0...350A	0...250A	0...200A
输出功率	Output power	15000W	14000W	15000W	16000W
尺寸 (W H D)	Dimensions (W H D)	19" 8U 470mm	19" 8U 470mm	19" 8U 470mm	19" 8U 470mm
重量	Weight	70kg	70kg	70kg	70kg

技术参数	Technical Data	EA-PS 1150-100	EA-PS 1300-50	EA-PS 1600-25	EA-PS 1900-20
输入电压	Input voltage	3x 400 +/- 10%	3x 400 +/- 10%	3x 400 +/- 10%	3x 400 +/- 10%
-频率	-Frequency	50...60Hz	50...60Hz	50...60Hz	50...60Hz
输出电压	Output voltage	0...150V	0...300V	0...600V	0...900V
-稳定性	-Stability	<2%	<2%	<2%	<2%
-纹波	-Ripple	<2%	<2%	<2%	<2%
输出电流	Output current	0...100A	0...50A	0...25A	0...20A
输出功率	Output power	15000W	15000W	15000W	18000W
尺寸 (W H D)	Dimensions (W H D)	19" 8U 470mm	19" 8U 470mm	19" 8U 470mm	19" 8U 470mm
重量	Weight	70kg	70kg	70kg	70kg

EA-PS 1000-40KW 30000W - 40000W

开关模式直流源 / SWITCHED DC CURRENT SOURCES



可选件 EA-PS 280



EA-PS 1040-1000



- 高效, 效率>85%
- 输出功率: 30kW至45kW
- 输出电压: 0...20V 至 0...900V
- 输出电流: 0...50 A 至 0...2000A
- 恒压和恒流调整
- 电压和电流可调
- 通过0...10V电压对U / I编程
- 通过0...10V电压监控U / I
- 直流输出远距离“开/关”
- 工作温度0-35°C (按需也可做40°C)
- 电源输入参数3 x 400V +/-10% 50-60Hz, P.F. >0,95
- 浪涌电流限制
- 风扇制冷
- 内嵌式采用不锈钢外壳
- 用铜条当直流输出端
- 可选项
 - 外部控制器 EA-PS 280
 - 用电脑编程(RS485 / RS232 / LAN)
 - 远程感测
 - 绝缘模拟放大器
 - 调整偏差<1%
 - 纹波 (300 Hz) <1%

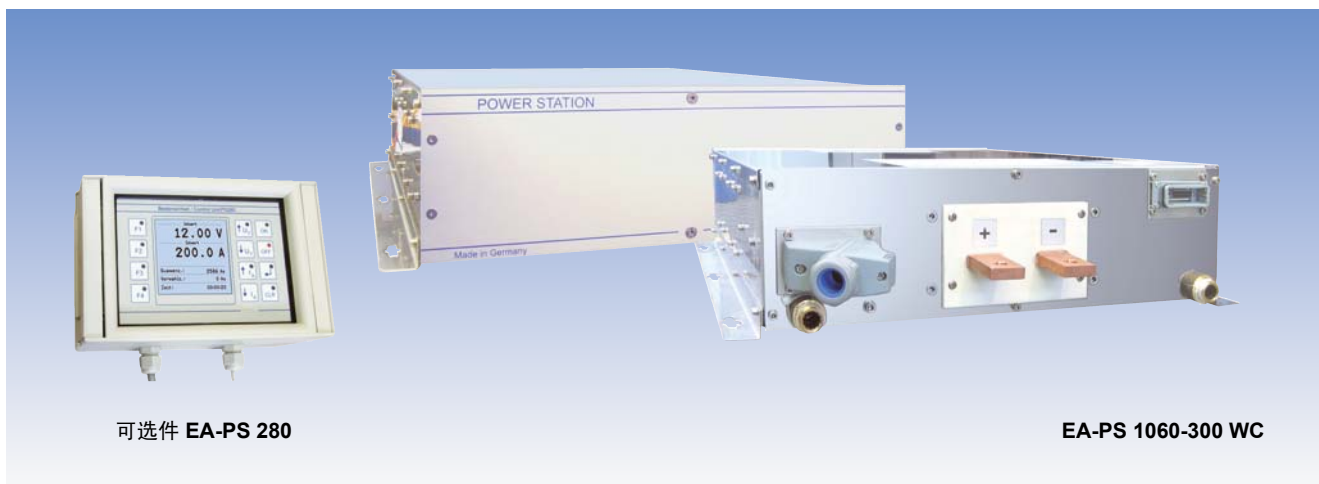
- **High efficiency >85%**
- **Output power ratings: 30kW up to 45kW**
- **Output voltages: 0...20V up to 0...900V**
- **Output currents: 0...50A up to 0...2000A**
- **Constant voltage and current regulation**
- **Voltage and current adjustable**
- **U / I programmable via 0...10V**
- **U / I monitoring via 0...10V**
- **Remote „on/off“ for DC output**
- **Operation temp range 0-35°C (40°C on req.)**
- **Mains input 3 x 400V +/-10% 50-60Hz, P.F. >0.95**
- **Inrush current limit**
- **Air cooling by fans**
- **Stainless steel enclosure for rack mount**
- **DC output connection via copper bars**
- **Options**
 - **External control unit EA-PS 280**
 - **Programming via PC (RS485/RS232/LAN)**
 - **Remote sensing**
 - **Isolated analogue amplifiers**
 - **Regulation deviation <1%**
 - **Ripple (300 Hz) <1%**

技术参数	Technical Data	EA-PS 1020-2000	EA-PS 1040-1000	EA-PS 1060-600	EA-PS 1080-500
输入电压	Input voltage	3x 400 +/- 10%	3x 400 +/- 10%	3x 400 +/- 10%	3x 400 +/- 10%
-频率	-Frequency	50...60Hz	50...60Hz	50...60Hz	50...60Hz
输出电压	Output voltage	0...20V	0...40V	0...60V	0...80V
-稳定度	-Stability	<2%	<2%	<2%	<2%
-纹波	-Ripple	<2%	<2%	<2%	<2%
输出电流	Output current	0...2000A	0...1000A	0...600A	0...500A
输出功率	Output power	40kW	40kW	36kW	40kW
尺寸 (WxHxD)	Dimensions (WxHxD)	557x332x1027 mm	557x332x1027 mm	557x332x1027 mm	557x332x1027 mm
重量	Weight	111kg	111kg	111kg	111kg

技术参数	Technical Data	EA-PS 1150-250	EA-PS 1300-120	EA-PS 1600-50	EA-PS 1900-40
输入电压	Input voltage	3x 400 +/- 10%	3x 400 +/- 10%	3x 400 +/- 10%	3x 400 +/- 10%
-频率	-Frequency	50...60Hz	50...60Hz	50...60Hz	50...60Hz
输出电压	Output voltage	0...150V	0...300V	0...600V	0...900V
-稳定度	-Stability	<2%	<2%	<2%	<2%
-纹波	-Ripple	<2%	<2%	<2%	<2%
输出电流	Output current	0...250A	0...120A	0...50A	0...40A
输出功率	Output power	37.5kW	36kW	30kW	36kW
尺寸 (WxHxD)	Dimensions (WxHxD)	557x332x1027 mm	557x332x1027 mm	557x332x1027 mm	557x332x1027 mm
重量	Weight	111kg	111kg	111kg	111kg

EA-PS 1000-20KW WC 18000W - 20000W

开关模式直流源 / SWITCHED DC CURRENT SOURCES



可选项 EA-PS 280

EA-PS 1060-300 WC

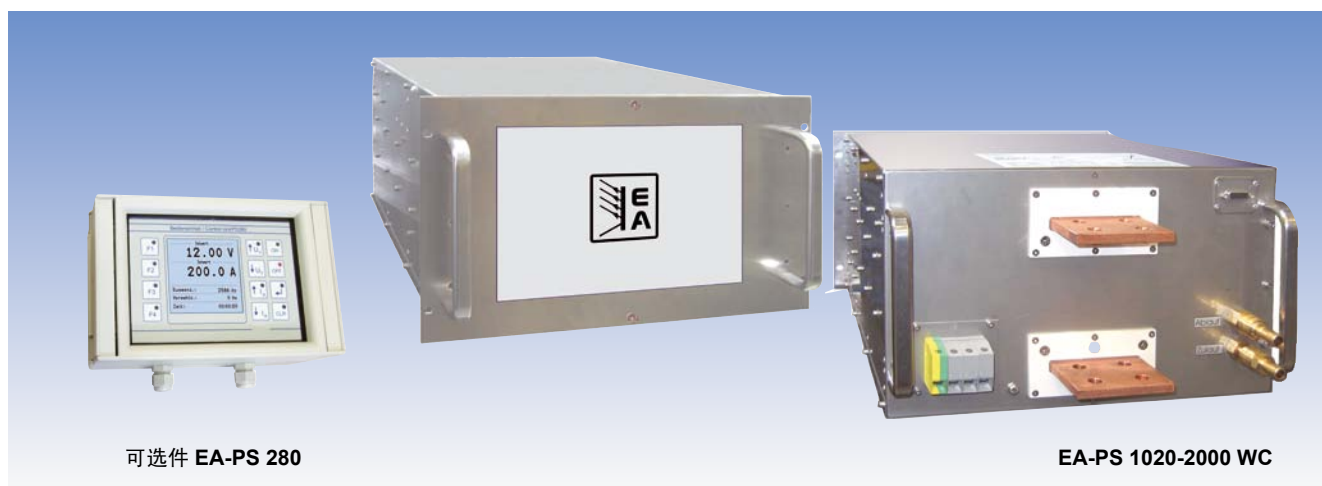
- 高效, 效率>85%
 - 输出功率: 18kW至20kW
 - 输出电压: 0...20V 至 0...900V
 - 输出电流: 0...20 A 至 0...1000A
 - 恒压和恒流调整
 - 微处理器控制调整
 - 通过0...10V电压对U / I编程
 - 通过0...10V电压监控U / I
 - 直流输出远距离“开/关”
 - 工作温度 5-40°C
 - 电源输入参数 3 x 360V...506V 50-60Hz
 - 功率因数值为 $\cos \varphi$ 0.95
 - 有软启动功能
 - 温控水冷制冷方式
 - 19"结构产品采用 IP53不锈钢外壳
 - 铜条直流输出端在产品后面
 - 可并联和串联多达30台产品
 - 可选项
 - 外部控制器 EA-PS 280
 - 用电脑编程 (RS485 / RS232 / LAN)
 - 绝缘模拟放大器
 - 远程感测
- **High efficiency >85%**
 - **Output power ratings: 18kW up to 20kW**
 - **Output voltages: 0...20V up to 0...900V**
 - **Output currents: 0...20A up to 0...1000A**
 - **Constant voltage and current regulation**
 - **Microprocessor controlled regulation**
 - **U / I programmable via 0...10V**
 - **U / I monitoring via 0...10V**
 - **Remote „on/off“ for DC output**
 - **Operation temp. range 5° - 40°C**
 - **Mains input 3 x 360V...506V 50-60Hz**
 - **Power factor $\cos \varphi$ 0.95**
 - **Soft start function**
 - **Water cooling, temperature controlled**
 - **Stainless IP53 steel enclosure for 19" rack systems**
 - **DC output connection via copper bars on the rear**
 - **Parallel and series connection of up to 30 units**
 - **Options**
 - **External control unit EA-PS 280**
 - **Programming via PC (RS485/RS232/LAN)**
 - **Isolated analogue amplifiers**
 - **Remote sensing**

技术参数	Technical Data	EA-PS 1020-1000 WC	EA-PS 1040-500 WC	EA-PS 1060-300 WC	EA-PS 1080-250 WC
输入电压	Input voltage	3x 360...506V	3x 360...506V	3x 360...506V	3x 360...506V
-频率	-Frequency	50...60Hz	50...60Hz	50...60Hz	50...60Hz
输出电压 (DC)	Output voltage (DC)	0...20V	0...40V	0...60V	0...80V
-稳定性	-Stability	<1%	<1%	<1%	<1%
-纹波	-Ripple	<1% rms	<1% rms	<1% rms	<1% rms
输出电流	Output current	0...1000A	0...500A	0...300A	0...250A
输出功率	Output power	20kW	20kW	18kW	20kW
尺寸 (W H D)	Dimensions (W H D)	19" 3U 520mm	19" 3U 520mm	19" 3U 520mm	19" 3U 520mm
重量	Weight	55kg	55kg	55kg	55kg

技术参数	Technical Data	EA-PS 1150-120 WC	EA-PS 1300-60 WC	EA-PS 1600-30 WC	EA-PS 1900-20 WC
输入电压	Input voltage	3x 360...506V	3x 360...506V	3x 360...506V	3x 360...506V
-频率	-Frequency	50...60Hz	50...60Hz	50...60Hz	50...60Hz
输出电压 (DC)	Output voltage (DC)	0...150V	0...300V	0...600V	0...900V
-稳定性	-Stability	<1%	<1%	<1%	<1%
-纹波	-Ripple	<1% rms	<1% rms	<1% rms	<1% rms
输出电流	Output current	0...120A	0...60A	0...30A	0...20A
输出功率	Output power	18kW	18kW	18kW	18kW
尺寸 (W H D)	Dimensions (W H D)	19" 3U 520mm	19" 3U 520mm	19" 3U 520mm	19" 3U 520mm
重量	Weight	55kg	55kg	55kg	55kg

EA-PS 1000-40KW WC 36000W - 40000W

开关模式直流源 / SWITCHED DC CURRENT SOURCES



可选件 EA-PS 280

EA-PS 1020-2000 WC

- 高效, 效率>85%
- 输出功率: 36kW 至 40kW
- 输出电压: 0...20V 至 0...900V
- 输出电流: 0...40A 至 0...2000A
- 恒压和恒流调整
- 微处理器控制调整
- 通过 0...10V 电压对 U / I 编程
- 通过 0...10V 电压监控 U / I
- 直流输出远距离“开/关”
- 工作温度 5-40°C
- 电源输入参数 3 x 360V...506V 50-60Hz
- 功率因数校正值为 $\cos\phi$ 0.95
- 有软启动功能
- 温控水冷却方式
- 19"结构的类型采用 IP53 不锈钢外壳
- 铜条直流输出端在产品后面
- 可并联和串联多达30台产品
- 可选项
 - 外部控制器 EA-PS 280
 - 用电脑编程 (RS485 / RS232 / LAN)
 - 绝缘模拟放大器
 - 远程感测

- **High efficiency >85%**
- **Output power ratings: 36kW up to 40kW**
- **Output voltages: 0...20V up to 0...900V**
- **Output currents: 0...40A up to 0...2000A**
- **Constant voltage and current regulation**
- **Microprocessor controlled regulation**
- **U / I programmable via 0...10V**
- **U / I monitoring via 0...10V**
- **Remote „on/off“ for DC output**
- **Operation temp. range 5° - 40°C**
- **Mains input 3 x 360V...506V 50-60Hz**
- **Power factor $\cos\phi$ 0.95**
- **Soft start function**
- **Water cooling, temperature controlled**
- **Stainless IP53 steel enclosure for 19" rack system**
- **DC output connection via copper bars on the rear**
- **Parallel and series connection of up to 30 units**
- **Options**
 - **External control unit EA-PS 280**
 - **Programming via PC (RS485/RS232/LAN)**
 - **Isolated analogue amplifiers**
 - **Remote sensing**

技术参数	Technical Data	EA-PS 1020-2000 WC	EA-PS 1040-1000 WC	EA-PS 1060-600 WC	EA-PS 1080-500 WC
输入电压	Input voltage	3x 360...506V	3x 360...506V	3x 360...506V	3x 360...506V
-频率	-Frequency	50...60Hz	50...60Hz	50...60Hz	50...60Hz
输出电压 (DC)	Output voltage (DC)	0...20V	0...40V	0...60V	0...80V
-稳定度	-Stability	<1%	<1%	<1%	<1%
-纹波	-Ripple	<1% rms	<1% rms	<1% rms	<1% rms
输出电流	Output current	0...2000A	0...1000A	0...600A	0...500A
输出功率	Output power	40kW	40kW	36kW	40kW
尺寸 (WxHxD)	Dimensions (W H D)	19" 6U 520mm	19" 6U 520mm	19" 6U 520mm	19" 6U 520mm
重量	Weight	106kg	106kg	106kg	106kg

技术参数	Technical Data	EA-PS 1150-250 WC	EA-PS 1300-120 WC	EA-PS 1600-60 WC	EA-PS 1900-40 WC
输入电压	Input voltage	3x 360...506V	3x 360...506V	3x 360...506V	3x 360...506V
-频率	-Frequency	50...60Hz	50...60Hz	50...60Hz	50...60Hz
输出电压 (DC)	Output voltage (DC)	0...150V	0...300V	0...600V	0...900V
-稳定度	-Stability	<1%	<1%	<1%	<1%
-纹波	-Ripple	<1% rms	<1% rms	<1% rms	<1% rms
输出电流	Output current	0...250A	0...120A	0...60A	0...40A
输出功率	Output power	37.5kW	36kW	36kW	36kW
尺寸 (WxHxD)	Dimensions (W H D)	19" 6U 520mm	19" 6U 520mm	19" 6U 520mm	19" 6U 520mm
重量	Weight	106kg	106kg	106kg	106kg



EA-PS 1000-75KW 60000W - 80000W

开关模式直流源 / SWITCHED DC CURRENT SOURCES



EA-PS 1020-3500

- 高效, 效率>85%
 - 输出功率: 60kW 至 80kW
 - 输出电压: 0...20V 至 0...900V
 - 输出电流: 0...75A 至 0...3500A
 - 调整偏差 <2%, 纹波 (300Hz)<2%
 - 恒压和恒流调整
 - 通过 0...10V 电压对U / I 编程
 - 通过 0...10V 电压监控U / I
 - 直流输出远距离“开/关”
 - 工作温度0-35°C (按需也可做40°C)
 - 电源输入参数3 x 400V +/-10% 50-60Hz, P.F. >0.95
 - 浪涌电流限制
 - 配有电源断路器保护和电源开关
 - 有风冷 (AC) 和水冷 (WC) 制冷方式
 - 采用威图TS机柜, 着RAL 7035喷粉涂层
 - 可选项
 - 外部控制器 EA-PS 280
 - 用电脑编程 (RS485/RS232/LAN)
 - 绝缘模拟放大器
 - 远程感测
 - 调整偏差 <1%, 纹波 (300 Hz) <1%
- High efficiency >85%
 - Output power ratings: 60kW up to 80kW
 - Output voltages: 0...20V up to 0...900V
 - Output currents: 0...75A up to 0...3500A
 - Regulation deviation <2%, Ripple (300Hz)<2%
 - Constant voltage and current regulation
 - U / I programmable via 0...10V
 - U / I monitoring via 0...10V
 - Remote „on/off“ for DC output
 - Operation temp range 0-35°C (40°C on req.)
 - Mains input 3 x 400V +/-10% 50-60Hz, P.F. >0.95
 - Inrush current limiter
 - Mains circuit breaker and mains power switch incl.
 - Air cooling (AC) or water cooling (WC)
 - Cabinet Rittal TS, RAL 7035 powder coated
 - Options
 - External control unit EA-PS 280
 - Programming via PC (RS485/RS232/LAN)
 - Isolated analogue amplifiers
 - Remote sensing
 - Regulation deviation <1%, ripple (300Hz) <1%

技术参数	Technical Data	EA-PS 1020-3500 (WC)	EA-PS 1040-1700 (WC)	EA-PS 1060-1200 (WC)	EA-PS 1080-1000 (WC)
输入电压	Input voltage	3x 400 +/- 10%	3x 400 +/- 10%	3x 400 +/- 10%	3x 400 +/- 10%
-频率	-Frequency	50...60Hz	50...60Hz	50...60Hz	50...60Hz
输出电压 (DC)	Output voltage (DC)	0...20V	0...40V	0...60V	0...80V
-稳定度	-Stability	<2%	<2%	<2%	<2%
-纹波	-Ripple	<2%	<2%	<2%	<2%
输出电流	Output current	0...3500A	0...1700A	0...1200A	0...1000A
输出功率	Output power	70kW	68kW	72kW	80kW
风冷式产品尺寸 (WxHxD)	Dim. air cooling (WxHxD)	600x2200x600mm	600x2200x600mm	600x2200x600mm	600x2200x600mm
水冷式产品尺寸 (WxHxD)	Dim. water cooling (WxHxD)	600x2200x600mm	800x2200x600mm	800x2200x600mm	800x2200x600mm
重量	Weight	300kg	300kg	300kg	300kg

技术参数	Technical Data	EA-PS 1150-500 (WC)	EA-PS 1300-250 (WC)	EA-PS 1600-100 (WC)	EA-PS 1900-75 (WC)
输入电压	Input voltage	3x 400 +/- 10%	3x 400 +/- 10%	3x 400 +/- 10%	3x 400 +/- 10%
-频率	-Frequency	50...60Hz	50...60Hz	50...60Hz	50...60Hz
输出电压 (DC)	Output voltage (DC)	0...150V	0...300V	0...600V	0...900V
-稳定度	-Stability	<2%	<2%	<2%	<2%
-纹波	-Ripple	<2%	<2%	<2%	<2%
输出电流	Output current	0...500A	0...250A	0...100A	0...75A
输出功率	Output power	75kW	75kW	60kW	67,5kW
风冷式产品尺寸 (WxHxD)	Dim. air cooling (WxHxD)	600x2200x600mm	600x2200x600mm	600x2200x600mm	600x2200x600mm
水冷式产品尺寸 (WxHxD)	Dim. water cooling (WxHxD)	800x2200x600mm	800x2200x600mm	800x2200x600mm	800x2200x600mm
重量	Weight	300kg	300kg	300kg	300kg

EA-PS 1000-120KW 117000W - 120000W

开关模式直流源 / SWITCHED DC CURRENT SOURCES



- 高效, 效率>85%
- 输出功率: 117kW 至 120kW
- 输出电压: 0...20V 至 0...900V
- 输出电流: 0...130A 至 0...6000A
- 调整偏差 <2%, 纹波 (300Hz) <2%
- 恒压和恒流调整
- 通过0...10V电压对U / I 编程
- 通过0...10V电压监控U / I
- 直流输出远距离“开/关”
- 工作温度0-35°C (按需也可做40°C)
- 电源输入参数3 x 400V +/-10% 50-60Hz, P.F. >0.95
- 浪涌电流限制
- 配有电源断路器保护和电源开关
- 有风冷 (AC) 或水冷 (WC) 制冷方式
- 采用威图TS机柜, 着RAL 7035喷粉涂层
- 可选项
 - 外部控制器 EA-PS 280
 - 用电脑编程 (RS485 / RS232 / LAN)
 - 绝缘模拟放大器
 - 远程感测
 - 调整偏差 <1%, 纹波 (300 Hz) <1%

- **High efficiency >85%**
- **Output power ratings: 117kW up to 120kW**
- **Output voltages: 0...20V up to 0...900V**
- **Output currents: 0...130A up to 0...6000A**
- **Regulation deviation <2%, Ripple (300Hz) <2%**
- **Constant voltage and current regulation**
- **U / I programmable via 0...10V**
- **U / I monitoring via 0...10V**
- **Remote „on/off“ for DC output**
- **Operation temp range 0-35°C (40°C on req.)**
- **Mains input 3 x 400V +/-10% 50-60Hz, P.F. >0.95**
- **Inrush current limit**
- **Mains circuit breaker and mains power switch incl.**
- **Air cooling (AC) or water cooling (WC)**
- **Cabinet Rittal TS, RAL 7035 powder coated**
- **Options**
 - **External control unit EA-PS 280**
 - **Programming via PC (RS485/RS232/LAN)**
 - **Isolated analog amplifiers**
 - **Remote sensing**
 - **Regulation deviation <1%, ripple (300Hz) <1%**

技术参数	Technical Data	EA-PS 1020-6000 (WC)	EA-PS 1040-3000 (WC)	EA-PS 1060-2000 (WC)	EA-PS 1080-1500 (WC)
输入电压	Input voltage	3x 400 +/- 10%	3x 400 +/- 10%	3x 400 +/- 10%	3x 400 +/- 10%
-频率	-Frequency	50...60Hz	50...60Hz	50...60Hz	50...60Hz
输出电压 (DC)	Output voltage (DC)	0...20V	0...40V	0...60V	0...80V
-稳定度	-Stability	<2%	<2%	<2%	<2%
-纹波	-Ripple	<2%	<2%	<2%	<2%
输出电流	Output current	0...6000A	0...3000A	0...2000A	0...1500A
输出功率	Output power	120kW	120kW	120kW	120kW
风冷式产品尺寸 (WxHxD)	Dim. air cooling (WxHxD)	1800x2200x600mm	1800x2200x600mm	1800x2200x600mm	1800x2200x600mm
水冷式产品尺寸 (WxHxD)	Dim. water cooling (WxHxD)	600x2200x600mm	800x2200x600mm	800x2200x600mm	800x2200x600mm
重量	Weight	300kg	300kg	300kg	300kg

技术参数	Technical Data	EA-PS 1150-800 (WC)	EA-PS 1300-400 (WC)	EA-PS 1600-200 (WC)	EA-PS 1900-130 (WC)
输入电压	Input voltage	3x 400 +/- 10%	3x 400 +/- 10%	3x 400 +/- 10%	3x 400 +/- 10%
-频率	-Frequency	50...60Hz	50...60Hz	50...60Hz	50...60Hz
输出电压 (DC)	Output voltage (DC)	0...150V	0...300V	0...600V	0...900V
-稳定度	-Stability	<2%	<2%	<2%	<2%
-纹波	-Ripple	<2%	<2%	<2%	<2%
输出电流	Output current	0...800A	0...400A	0...200A	0...130A
输出功率	Output power	120kW	120kW	120kW	117kW
风冷式产品尺寸 (WxHxD)	Dim. air cooling (WxHxD)	1800x2200x600mm	1800x2200x600mm	1800x2200x600mm	1800x2200x600mm
水冷式产品尺寸 (WxHxD)	Dim. water cooling (WxHxD)	800x2200x600mm	800x2200x600mm	800x2200x600mm	800x2200x600mm
重量	Weight	300kg	300kg	300kg	300kg