

## EA-PS 800 19" 80W - 240W

### 19" 插拔式直流电源 / 19" PLUG-IN DC POWER SUPPLIES

U



EA-PS 800 19"

- 宽范围输入电压 90...264V，带主动式 PFC
- 效率：高达 92%
- 输出功率：58W 至 240W
- 输出电压：3.3V 至 24V
- 输出电流：2.5A 至 30A
- 单组，两组和三组输出
- 功率受限，所有输出端可输出全功率
- 所有输出端可分开调节和调整
- 有过压保护 (OVP)
- 有过温保护 (OT)
- 远程开 / 关，电源断电提示信号
- 远程感测功能
- 可选项
  - 电源输出端功率共用
  - 无前面板

#### 概要

EA-PS 800 19"系列有单组，两组和三组输出的不同类型产品。结合同步整流二极管和半谐振变换器，使得其效率高达92%。

#### 输出

本系列有不同型号，可选择3.3V，5V，12V和24V输出电压，80W，150W和240W输出功率的类型。所有输出端，不管是主输出还是辅助输出，都有静态限流和限功率电路，并能单独稳定，实现真正零负载兼容，具有完全的短路保护和超载保护。通过前板可调电位器可在特定范围内调节所有输出电压，以适应敏感性负载，并经LED灯指示出来。内置OVP保护电流可保护连接负载不因直流过压而受损。

#### 输入

采用主动式功率因数校正，输入电压为90V...264V AC或90...360 V DC，使产品在全世界范围内都适用，或当隔离DC/DC转换器用。

#### 远程感测端

远程感测输入电路为一H15端子，可直接连到负载上，以补偿负载线上的压降，确保给敏感性设备供应稳定而又精确的电压。

- Wide input voltage range 90...264V with active PFC
- High efficiency: up to 92%
- Output power ratings: 58W up to 240W
- Output voltages: 3.3V up to 24V
- Output currents: 2.5A up to 30A
- Single, double or triple output
- Power limited, all outputs for full power
- All outputs separately adjustable and regulated
- Overvoltage protection (OVP)
- Overtemperature protection (OT)
- Remote on/off and power fail signal
- Remote sense
- Options
  - Power sharing between main outputs
  - Without front plate

#### General

The models of series EA-PS 800 19" are available as single, dual or triple output power supplies. By combining the synchronised rectifier and semi-resonant converter principle, an efficiency of up to 92% is achieved.

#### Output

A variety of output voltages of 3.3V, 5V, 12V and 24V at power ratings of 80W, 150W and 240W are available. All outputs, main and auxiliary, are provided with a static current and power limiter circuit and are stabilised independently, making them truly zero-load compatible and fully short-circuit- and overload-proof. All output voltages can be trimmed within a specific range by potentiometers located in the front panel to accommodate sensitive loads, and are indicated via LEDs. The integrated overvoltage protection (OVP) circuit protects the connected equipment from DC overvoltage damage.

#### Input

A wide input range of 90...264V AC or 90...360 V DC, together with an active PFC (power factor correction) makes these devices suitable for a worldwide usage or as isolated DC/DC converters as well.

#### Remote sense

The remote sensing circuit, located at the H15 plug, can be connected to the load in order to compensate the voltage drop along the load cables, ensuring a stable and precise voltage for sensitive equipment.

## EA-PS 800 19" 80W - 240W

### 19" 插拔式直流电源 / 19" PLUG-IN DC POWER SUPPLIES

#### 输出端

图 1: PS805-150 19" 输出从2.5A至18A的负载变化图。

图 2: 主输出的负载步阶表明在不影响辅助输出时被分开稳定。

主输出 /  
Main output

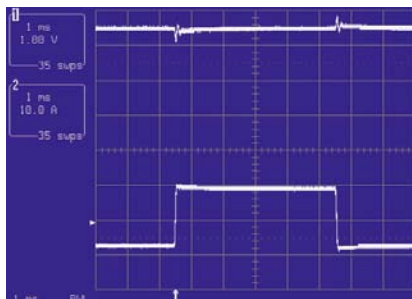


图 1 / Figure 1

输出电流 /  
Output current

#### Outputs

Figure 1: Load step from 2.5A to 18A at PS805-150 19"

Figure 2: The load step on the main output clarifies the separated stabilisation where the auxiliary output is not effected.

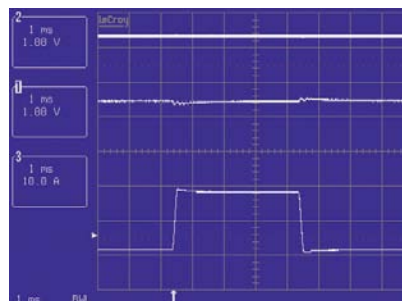


图 2 / Figure 2

辅助输出 /  
Aux. output

主输出 /  
Main output

输出电流 /  
Output current

#### 远距离开/关

此外，还有一个输出抑制功能，允许远距离启动或关闭输出，应用领域如：自动化系统和/或为了安全的目的。

#### 可选项

- 功率共用功能ASF（仅针对单组输出型号的产品）。ASF允许两台或两台以上产品并联，逐步增加系统功率，有必要时，还可在外部增加退耦二极管，以便建立多余的电源系统。
- 用并联多个模块可组合19"机架式系统，按需还能组成客户指定的输出版本。

#### Remote on/off

Furthermore, an output inhibit feature allows to remotely enable or disable the output, in order to use it for automated systems and/or for safety purposes, for example.

#### Options

- Power sharing function ASF (only for single output models). The ASF allows the parallel operation of two or more units to gradually increase system power and, where required, the possibility to build up a redundant power system by addition of external decoupling diodes.
- Complete 19" rack systems with parallel redundant modules and custom specific output versions can be made upon request.

技术参数	Technical Data	EA-PS 800 19" 80W	EA-PS 800 19" 150W	EA-PS 800 19" 240W
AC输入电压 / 频率	Input voltage AC / Frequency	90...264V / 45...65Hz	90...264V / 45...65Hz	90...264V / 45...65Hz
DC输入电压	Input voltage DC	150...360V	150...360V	150...360V
功率因数	Power factor	>0.99	>0.99	>0.99
效率	Efficiency	高达 / up to 89%	高达 / up to 91%	高达 / up to 92%
输入浪涌电流限制值	Input surge current limitation	<23A NTC限制/by NTC	<23A NTC限制/by NTC	<23A NTC限制/by NTC
输入尖峰电压限制值	Input voltage spike suppression	VDR限制 / by VDR	VDR限制 / by VDR	VDR限制 / by VDR
滞留时间	Hold-up time	>20ms	>20ms	>20ms
输出功率	Output power	58W ... 96W	87 ... 150W	108 ... 240W
工作温度	Operation temperature	0...70°C	0...70°C	0...70°C
温度 / 输出功率降额	Temperature / Derating			
- 自然对流	- with natural convection			
V1 = 5V	V1 = 5V	>45°C 1.6W/°C	>45°C 2.5W/°C	>45°C 3.5W/°C
V1 = 12V	V1 = 12V	>60°C 2.0W/°C	>45°C 2.3W/°C	>45°C 5.0W/°C
V1 = 24V	V1 = 24V	不降额 / no derating	>45°C 2.0W/°C	>45°C 4.0W/°C
- 强制风冷 1m/s	- with forced cooling 1m/s			
V1 = 5V	V1 = 5V	不降额 / no derating	>60°C 6.0W/°C	>60°C 7.5W/°C
V1 = 12V	V1 = 12V	不降额 / no derating	>60°C 5.0W/°C	>60°C 9.0W/°C
V1 = 24V	V1 = 24V	不降额 / no derating	>60°C 4.0W/°C	>60°C 8.0W/°C
储存温度	Storage temperature	-40°C ... +85°C	-40°C ... +85°C	-40°C ... +85°C
相对湿度 (无凝露)	Relative humidity (no condensation)	90% max.	90% max.	90% max.
安全标准	Safety	EN 60950, IEC 950	EN 60950, IEC 950	EN 60950, IEC 950
EMI辐射	EMI emission	EN 61000-6-3	EN 61000-6-3	EN 61000-6-3
EMI抗扰度	EMI noise immunity	EN 61000-6-2	EN 61000-6-2	EN 61000-6-2
尺寸 (WxHxD)	Dimensions (WxHxD)	8TE/HPx3HE/Ux162mm	10TE/HPx3HE/Ux162mm	12TE/HPx3HE/Ux162mm
重量	Weight	640g	780g	930g

## EA-PS 800 19" 80W

### 19" 插拔式直流电源 / 19" PLUG-IN DC POWER SUPPLIES

技术参数	Technical Data	PS 803-80 Single	PS 805-80 Single	PS 812-80 Single	PS 824-80 Single
输出电压	Output voltage	3.3V (3.0...3.6V)	5V (4.8...5.5V)	12V (11.8...15.2V)	24V (23.5...28.5V)
0-100% I <sub>out</sub> 负载调整率	Load regulation 0...100% I <sub>out</sub>	<0.05%	<0.05%	<0.05%	<0.05%
100% I <sub>out</sub> 线性调整率	Line regulation 100% I <sub>out</sub>	<0.05%	<0.05%	<0.05%	<0.05%
纹波	Ripple	<40mV <sub>pp</sub>	<40mV <sub>pp</sub>	<40mV <sub>pp</sub>	<40mV <sub>pp</sub>
负载从10%-100%调整需时	Regulation time 10-100% load	<0.5ms	<0.5ms	<0.5ms	<0.5ms
OVP过压保护调节范围	OVP adjustment	3.8...4.5V	6.0...6.7V	16.5...18.0V	29.0...33.0V
输出电流 / 功率	Output current / power	16A / 58W	16A / 80W	7.5A / 90W	4A / 96W
输出电流限制	Output current limit	<19A	<19A	<8.5A	<4.8A
感测端的电压调整	Voltage regulation with sense	0.5V max.	0.5V max.	0.5V max.	0.5V max.
电源失效信号	Power fail signal	>5ms	>5ms	>5ms	>5ms
输入信号	Input signal	外部开-关/ext. on-off	外部开-关/ext. on-off	外部开-关/ext. on-off	外部开-关/ext. on-off
均流, 带ASF信号	Current share with ASF signal	可选 / optional	可选 / optional	可选 / optional	可选 / optional
产品编号	Article No.	08130300	08130301	08130302	08130303

技术参数	Technical Data	PS 805-12-80 Double		PS 805-24-80 Double	
		输出 / Output 1	输出 / Output 2	输出 / Output 1	输出 / Output 2
输出电压	Output voltage	5V (4.8...5.5V)	12V (11.8...15.2V)	5V (4.8...5.5V)	24V (23.8...27.2V)
0-100% I <sub>out</sub> 负载调整率	Load regulation 0...100% I <sub>out</sub>	<0.05%	<0.2%	<0.05%	<0.2%
100% I <sub>out</sub> 线性调整率	Line regulation 100% I <sub>out</sub>	<0.05%	<0.2%	<0.05%	<0.2%
纹波	Ripple	<40mV <sub>pp</sub>	<40mV <sub>pp</sub>	<40mV <sub>pp</sub>	<40mV <sub>pp</sub>
负载从10%-100%调整需时	Regulation time 10-100% load	<0.5ms	<0.5ms	<0.5ms	<0.5ms
OVP过压保护调节范围	OVP adjustment	6.0...6.7V	16.5...18.0V	6.0...6.7V	33.0...36.0V
输出电流 / 功率	Output current / power	16A / 80W	2.5A	16A / 80W	2.5A
输出电流限制	Output current limit	<19A	<3.0A	<19A	<3.0A
感测端的电压调整	Voltage regulation with sense	0.5V max.		0.5V max.	
电源失效信号	Power fail signal	>5ms		>5ms	
输入信号	Input signal	外部开-关 / extern on-off		外部开-关 / extern on-off	
均流, 带ASF信号	Current share with ASF signal	可选 / optional		可选 / optional	
产品编号	Article No.	08130304		08130305	

技术参数	Technical Data	PS 812-12-80 Double		PS 812-24-80 Double	
		输出 / Output 1	输出 / Output 2	输出 / Output 1	输出 / Output 2
输出电压	Output voltage	12V (11.8...15.2V)	12V (11.8...15.2V)	12V (11.8...15.2V)	24V (23.8...27.2V)
0-100% I <sub>out</sub> 负载调整率	Load regulation 0...100% I <sub>out</sub>	<0.05%	<0.2%	<0.05%	<0.2%
100% I <sub>out</sub> 线性调整率	Line regulation 100% I <sub>out</sub>	<0.05%	<0.2%	<0.05%	<0.2%
纹波	Ripple	<40mV <sub>pp</sub>	<40mV <sub>pp</sub>	<40mV <sub>pp</sub>	<40mV <sub>pp</sub>
负载从10%-100%调整需时	Regulation time 10-100% load	<0.5ms	<0.5ms	<0.5ms	<0.5ms
OVP过压保护调节范围	OVP adjustment	16.5...18.0V	16.5...18.0V	16.5...18.0V	33.0...36.0V
输出电流 / 功率	Output current / power	7.5A / 90W	2.5A	7.5A / 90W	2.5A
输出电流限制	Output current limit	<8.5A	<3.0A	<8.5A	<3.0A
感测端的电压调整	Voltage regulation with sense	0.5V max.		0.5V max.	
电源失效信号	Power fail signal	>5ms		>5ms	
输入信号	Input signal	外部开-关 / extern on-off		外部开-关 / extern on-off	
均流, 带ASF信号	Current share with ASF signal	可选 / optional		可选 / optional	
产品编号	Article No.	08130306		08130307	

技术参数	Technical Data	PS 805-12-12-80 Triple		
		输出 / Output 1	输出 / Output 2	输出 / Output 3
输出电压	Output voltage	5V (4.8...5.5V)	+12V (11.8...15.2V)	-12V (11.8...15.2V)
0-100% I <sub>out</sub> 负载调整率	Load regulation 0...100% I <sub>out</sub>	<0.05%	<0.2%	<0.2%
100% I <sub>out</sub> 线性调整率	Line regulation 100% I <sub>out</sub>	<0.05%	<0.2%	<0.2%
纹波	Ripple	<40mV <sub>pp</sub>	<40mV <sub>pp</sub>	<40mV <sub>pp</sub>
负载从10%-100%调整需时	Regulation time 10-100% load	<0.5ms	<0.5ms	<0.5ms
OVP过压保护调节范围	OVP adjustment	6.0...6.7V	16.5...18.0V	16.5...18.0V
输出电流 / 功率	Output current / power	16A / 80W	2.5A	2.5A
输出电流限制	Output current limit	<19A	<3.0A	<3.0A
感测端的电压调整	Voltage regulation with sense	0.5V max.		
电源失效信号	Power fail signal	>5ms		
输入信号	Input signal	外部开-关 / extern on-off		
均流, 带ASF信号	Current share with ASF signal	可选 / optional		
产品编号	Article No.	08130308		

## EA-PS 800 19" 150W

### 19" 插拔式直流电源 / 19" PLUG-IN DC POWER SUPPLIES

技术参数	Technical Data	PS 803-150 Single	PS 805-150 Single	PS 812-150 Single	PS 824-150 Single
输出电压	Output voltage	3.3V (3.0...3.6V)	5V (4.8...5.5V)	12V (11.8...15.2V)	24V (23.5...28.5V)
0-100% I <sub>out</sub> 负载调整率	Load regulation 0...100% I <sub>out</sub>	<0.05%	<0.05%	<0.05%	<0.05%
100% I <sub>out</sub> 线性调整率	Line regulation 100% I <sub>out</sub>	<0.05%	<0.05%	<0.05%	<0.05%
纹波	Ripple	<40mV <sub>pp</sub>	<40mV <sub>pp</sub>	<40mV <sub>pp</sub>	<40mV <sub>pp</sub>
负载从10%-100%调整需时	Regulation time 10-100% load	<0.5ms	<0.5ms	<0.5ms	<0.5ms
OVP过压保护调节范围	OVP adjustment	3.8...4.5V	6.0...6.7V	16.5...18.0V	29.0...33.0V
输出电流 / 功率	Output current / power	24A / 87W	24A / 132W	10.7A / 150W	6.3A / 150W
输出电流限制	Output current limit	<28A	<28A	<12.8A	<7.5A
感测端的电压调整	Voltage regulation with sense	0.5V max.	0.5V max.	0.5V max.	0.5V max.
电源失效信号	Power fail signal	>5ms	>5ms	>5ms	>5ms
输入信号	Input signal	外部开-关/ext. on-off	外部开-关/ext. on-off	外部开-关/ext. on-off	外部开-关/ext. on-off
均流, 带ASF信号	Current share with ASF signal	可选 / optional	可选 / optional	可选 / optional	可选 / optional
产品编号	Article No.	08130309	08130310	08130311	08130312

技术参数	Technical Data	PS 805-12-150 Double		PS 805-24-150 Double	
		输出 / Output 1	输出 / Output 2	输出 / Output 1	输出 / Output 2
输出电压	Output voltage	5V (4.8...5.5V)	12V (11.8...15.2V)	5V (4.8...5.5V)	24V (23.8...27.2V)
0-100% I <sub>out</sub> 负载调整率	Load regulation 0...100% I <sub>out</sub>	<0.05%	<0.2%	<0.05%	<0.2%
100% I <sub>out</sub> 线性调整率	Line regulation 100% I <sub>out</sub>	<0.05%	<0.2%	<0.05%	<0.2%
纹波	Ripple	<40mV <sub>pp</sub>	<40mV <sub>pp</sub>	<40mV <sub>pp</sub>	<40mV <sub>pp</sub>
负载从10%-100%调整需时	Regulation time 10-100% load	<0.5ms	<0.5ms	<0.5ms	<0.5ms
OVP过压保护调节范围	OVP adjustment	6.0...6.7V	16.5...18.0V	6.0...6.7V	33.0...36.0V
输出电流 / 功率	Output current / power	24A / 150W	2.5A	24A / 150W	2.5A
输出电流限制	Output current limit	<28A	<3.0A	<28A	<3.0A
感测端的电压调整	Voltage regulation with sense	0.5V max.		0.5V max.	
电源失效信号	Power fail signal	>5ms		>5ms	
输入信号	Input signal	外部开-关 / extern on-off		外部开-关 / extern on-off	
均流, 带ASF信号	Current share with ASF signal	可选 / optional		可选 / optional	
产品编号	Article No.	08130313		08130314	

技术参数	Technical Data	PS 812-12-150 Double		PS 812-24-150 Double	
		输出 / Output 1	输出 / Output 2	输出 / Output 1	输出 / Output 2
输出电压	Output voltage	12V (11.8...15.2V)	12V (11.8...15.2V)	12V (11.8...15.2V)	24V (23.8...27.2V)
0-100% I <sub>out</sub> 负载调整率	Load regulation 0...100% I <sub>out</sub>	<0.05%	<0.2%	<0.05%	<0.2%
100% I <sub>out</sub> 线性调整率	Line regulation 100% I <sub>out</sub>	<0.05%	<0.2%	<0.05%	<0.2%
纹波	Ripple	<40mV <sub>pp</sub>	<40mV <sub>pp</sub>	<40mV <sub>pp</sub>	<40mV <sub>pp</sub>
负载从10%-100%调整需时	Regulation time 10-100% load	<0.5ms	<0.5ms	<0.5ms	<0.5ms
OVP过压保护调节范围	OVP adjustment	16.5...18.0V	16.5...18.0V	16.5...18.0V	33.0...36.0V
输出电流 / 功率	Output current / power	10.7A / 150W	2.5A	10.7A / 150W	2.5A
输出电流限制	Output current limit	<12.8A	<3.0A	<12.8A	<3.0A
感测端的电压调整	Voltage regulation with sense	0.5V max.		0.5V max.	
电源失效信号	Power fail signal	>5ms		>5ms	
输入信号	Input signal	外部开-关 / extern on-off		外部开-关 / extern on-off	
均流, 带ASF信号	Current share with ASF signal	可选 / optional		可选 / optional	
产品编号	Article No.	08130315		08130316	

技术参数	Technical Data	PS 805-12-12-150 Triple		
		输出 / Output 1	输出 / Output 2	输出 / Output 3
输出电压	Output voltage	5V (4.8...5.5V)	+12V (11.8...15.2V)	-12V (11.8...15.2V)
0-100% I <sub>out</sub> 负载调整率	Load regulation 0...100% I <sub>out</sub>	<0.05%	<0.2%	<0.2%
100% I <sub>out</sub> 线性调整率	Line regulation 100% I <sub>out</sub>	<0.05%	<0.2%	<0.2%
纹波	Ripple	<40mV <sub>pp</sub>	<40mV <sub>pp</sub>	<40mV <sub>pp</sub>
负载从10%-100%调整需时	Regulation time 10-100% load	<0.5ms	<0.5ms	<0.5ms
OVP过压保护调节范围	OVP adjustment	6.0...6.7V	16.5...18.0V	16.5...18.0V
输出电流 / 功率	Output current / power	24A / 150W	2.5A	2.5A
输出电流限制	Output current limit	<28A	<3.0A	<3.0A
感测端的电压调整	Voltage regulation with sense	0.5V max.		
电源失效信号	Power fail signal	>5ms		
输入信号	Input signal	外部开-关 / extern on-off		
均流, 带ASF信号	Current share with ASF signal	可选 / optional		
产品编号	Article No.	08130317		

## EA-PS 800 19" 240W

### 19" 插拔式直流电源 / 19" PLUG-IN DC POWER SUPPLIES

技术参数	Technical Data	PS 803-240 Single	PS 805-240 Single	PS 812-240 Single	PS 824-240 Single
输出电压	Output voltage	3.3V (3.0...3.6V)	5V (4.8...5.5V)	12V (11.8...15.2V)	24V (23.5...28.5V)
0-100% I <sub>out</sub> 负载调整率	Load regulation 0...100% I <sub>out</sub>	<0.05%	<0.05%	<0.05%	<0.05%
100% I <sub>out</sub> 线性调整率	Line regulation 100% I <sub>out</sub>	<0.05%	<0.05%	<0.05%	<0.05%
纹波	Ripple	<40mV <sub>pp</sub>	<40mV <sub>pp</sub>	<40mV <sub>pp</sub>	<40mV <sub>pp</sub>
负载从10%-100%调整需时	Regulation time 10-100% load	<0.5ms	<0.5ms	<0.5ms	<0.5ms
OVP过压保护调节范围	OVP adjustment	3.8...4.5V	6.0...6.7V	16.5...18.0V	29.0...33.0V
输出电流 / 功率	Output current / power	30A / 108W	30A / 165W	16A / 240W	10A / 240W
输出电流限制	Output current limit	<36A	<36A	<19.2A	<19.2A
感测端的电压调整	Voltage regulation with sense	0.5V max.	0.5V max.	0.5V max.	0.5V max.
电源失效信号	Power fail signal	>5ms	>5ms	>5ms	>5ms
输入信号	Input signal	外部开-关/ext. on-off	外部开-关/ext. on-off	外部开-关/ext. on-off	外部开-关/ext. on-off
均流, 带ASF信号	Current share with ASF signal	可选 / optional	可选 / optional	可选 / optional	可选 / optional
产品编号	Article No.	08130318	08130319	08130320	08130321

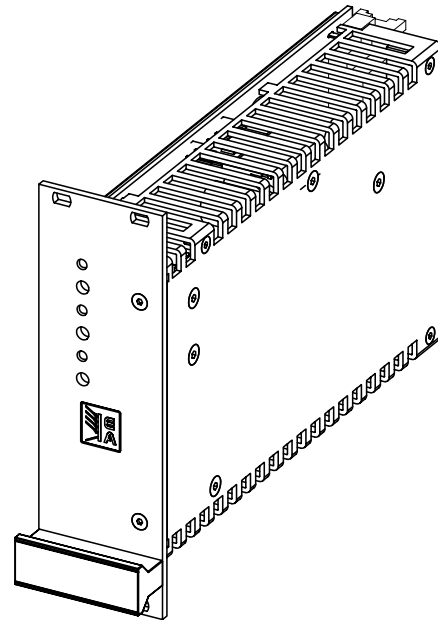
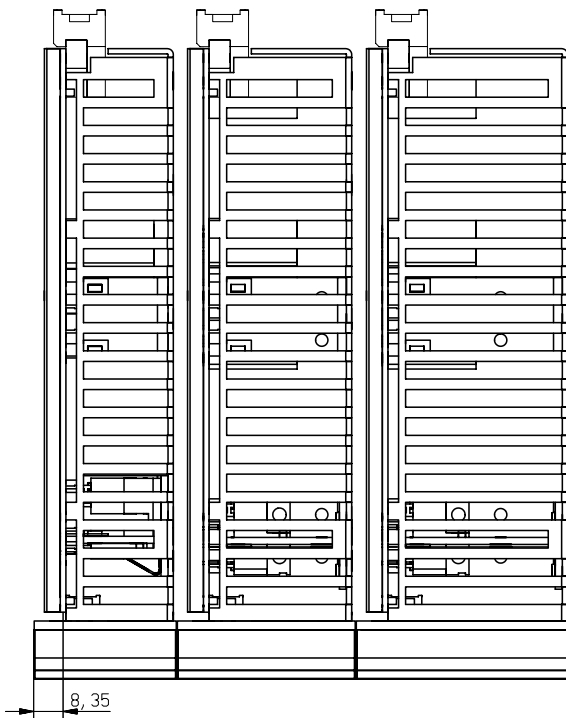
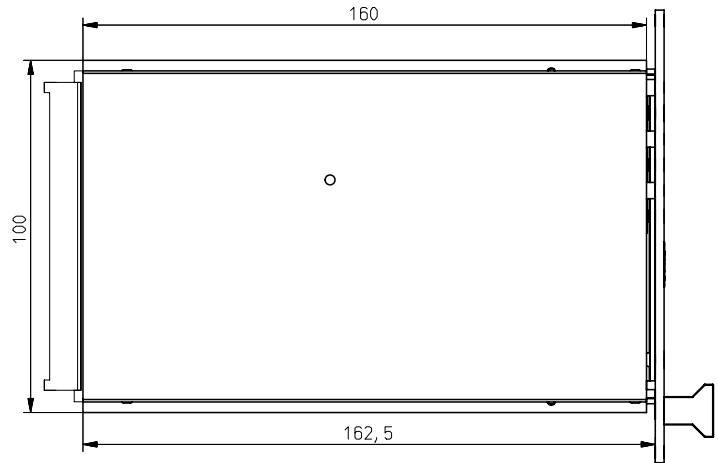
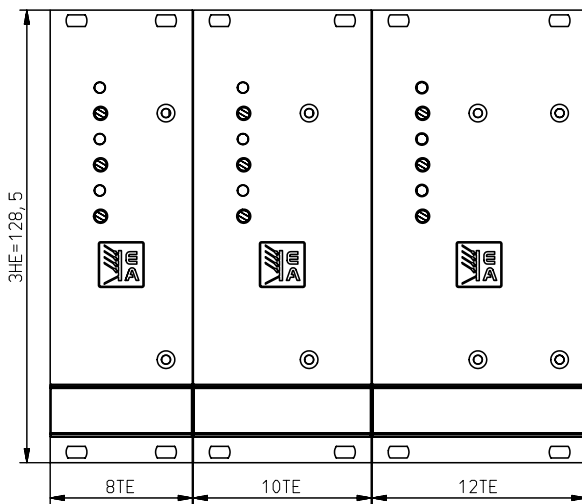
技术参数	Technical Data	PS 805-12-240 Double		PS 805-24-240 Double	
		输出 / Output 1	输出 / Output 2	输出 / Output 1	输出 / Output 2
输出电压	Output voltage	5V (4.8...5.5V)	12V (11.8...15.2V)	5V (4.8...5.5V)	24V (23.8...27.2V)
0-100% I <sub>out</sub> 负载调整率	Load regulation 0...100% I <sub>out</sub>	<0.05%	<0.2%	<0.05%	<0.2%
100% I <sub>out</sub> 线性调整率	Line regulation 100% I <sub>out</sub>	<0.05%	<0.2%	<0.05%	<0.2%
纹波	Ripple	<40mV <sub>pp</sub>	<40mV <sub>pp</sub>	<40mV <sub>pp</sub>	<40mV <sub>pp</sub>
负载从10%-100%调整需时	Regulation time 10-100% load	<0.5ms	<0.5ms	<0.5ms	<0.5ms
OVP过压保护调节范围	OVP adjustment	6.0...6.7V	16.5...18.0V	6.0...6.7V	33.0...36.0V
输出电流 / 功率	Output current / power	30A / 195W	2.5A	34A / 225W	2.5A
输出电流限制	Output current limit	<36A	<3.0A	<36A	<3.0A
感测端的电压调整	Voltage regulation with sense	0.5V max.		0.5V max.	
电源失效信号	Power fail signal	>5ms		>5ms	
输入信号	Input signal	外部开-关 / extern on-off		外部开-关 / extern on-off	
均流, 带ASF信号	Current share with ASF signal	可选 / optional		可选 / optional	
产品编号	Article No.	08130322		08130323	

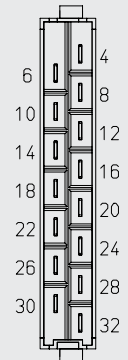
技术参数	Technical Data	PS 812-12-240 Double		PS 812-24-240 Double	
		输出 / Output 1	输出 / Output 2	输出 / Output 1	输出 / Output 2
输出电压	Output voltage	12V (11.8...15.2V)	12V (11.8...15.2V)	12V (11.8...15.2V)	24V (23.8...27.2V)
0-100% I <sub>out</sub> 负载调整率	Load regulation 0...100% I <sub>out</sub>	<0.05%	<0.2%	<0.05%	<0.2%
100% I <sub>out</sub> 线性调整率	Line regulation 100% I <sub>out</sub>	<0.05%	<0.2%	<0.05%	<0.2%
纹波	Ripple	<40mV <sub>pp</sub>	<40mV <sub>pp</sub>	<40mV <sub>pp</sub>	<40mV <sub>pp</sub>
负载从10%-100%调整需时	Regulation time 10-100% load	<0.5ms	<0.5ms	<0.5ms	<0.5ms
OVP过压保护调节范围	OVP adjustment	16.5...18.0V	16.5...18.0V	16.5...18.0V	33.0...36.0V
输出电流 / 功率	Output current / power	16A / 240W	2.5A	16A / 240W	2.5A
输出电流限制	Output current limit	<19.2A	<3.0A	<19.2A	<3.0A
感测端的电压调整	Voltage regulation with sense	0.5V max.		0.5V max.	
电源失效信号	Power fail signal	>5ms		>5ms	
输入信号	Input signal	外部开-关 / extern on-off		外部开-关 / extern on-off	
均流, 带ASF信号	Current share with ASF signal	可选 / optional		可选 / optional	
产品编号	Article No.	08130324		08130325	

技术参数	Technical Data	PS 805-12-12-240 Triple		
		输出 / Output 1	输出 / Output 2	输出 / Output 3
输出电压	Output voltage	5V (4.8...5.5V)	+12V (11.8...15.2V)	-12V (11.8...15.2V)
0-100% I <sub>out</sub> 负载调整率	Load regulation 0...100% I <sub>out</sub>	<0.05%	<0.2%	<0.2%
100% I <sub>out</sub> 线性调整率	Line regulation 100% I <sub>out</sub>	<0.05%	<0.2%	<0.2%
纹波	Ripple	<40mV <sub>pp</sub>	<40mV <sub>pp</sub>	<40mV <sub>pp</sub>
负载从10%-100%调整需时	Regulation time 10-100% load	<0.5ms	<0.5ms	<0.5ms
OVP过压保护调节范围	OVP adjustment	6.0...6.7V	16.5...18.0V	16.5...18.0V
输出电流 / 功率	Output current / power	30A / 225W	2.5A	2.5A
输出电流限制	Output current limit	<36A	<3.0A	<3.0A
感测端的电压调整	Voltage regulation with sense	0.5V max.		
电源失效信号	Power fail signal	>5ms		
输入信号	Input signal	外部开-关 / extern on-off		
均流, 带ASF信号	Current share with ASF signal	可选 / optional		
产品编号	Article No.	08130326		

# EA-PS 800 19" 80W - 240W

## 19" 插拔式直流电源 / 19" PLUG-IN DC POWER SUPPLIES



H15 连接器	引脚	H15连接器脚位分布说明 / Connector H15 pin layout		
Connector H15	Pin	PS 800 19" Single	PS 800 19" Double	PS 800 19" Triple
	4	+V1	+V1	+V1
	6	+V1	+V1	+V1
	8	GND V1	GND V1	GND V1
	10	GND V1	GND V1	GND V1
	12	+Sense	+Sense	+Sense
	14	-Sense	-Sense	-Sense
	16	Power fail	Power fail	Power fail
	18	---	+V2	+V2
	20	--- (optional ASF*)	GND V2	GND V2 / V3
	22	---	---	-V3
	24	Extern On/Off	Extern On/Off / ASF*	Extern On/Off / ASF*
	26	---	---	---
	28	N	N	N
	30	L	L	L
32	PE	PE	PE	

\* ASF = 可选功率均衡特征 / optional power sharing feature