



## TESCOM 64-3200 高纯减压阀

入口中压,出口低压,高流量

### 优点

- 专为高流量设计
- 正关闭密封
- 金属对金属的密封膜片
- 并列隔膜设计
- 可选哈氏合金材质

### 应用

- 1/2" 口径环境
- 特种气体
- 气柜
- 特种气体 BSGS
- 工具连接

### 参数

- 稳压器-减压阀
- 最大入口压力: 150, 1000, 1500 PSI
- 出口压力: 30, 60, 100, 150, 200 PSI
- 设计实验压力: 150% Max
- 泄漏:  $<1 \times 10^{-9}$  atm cc/sec He
- 操作温度:

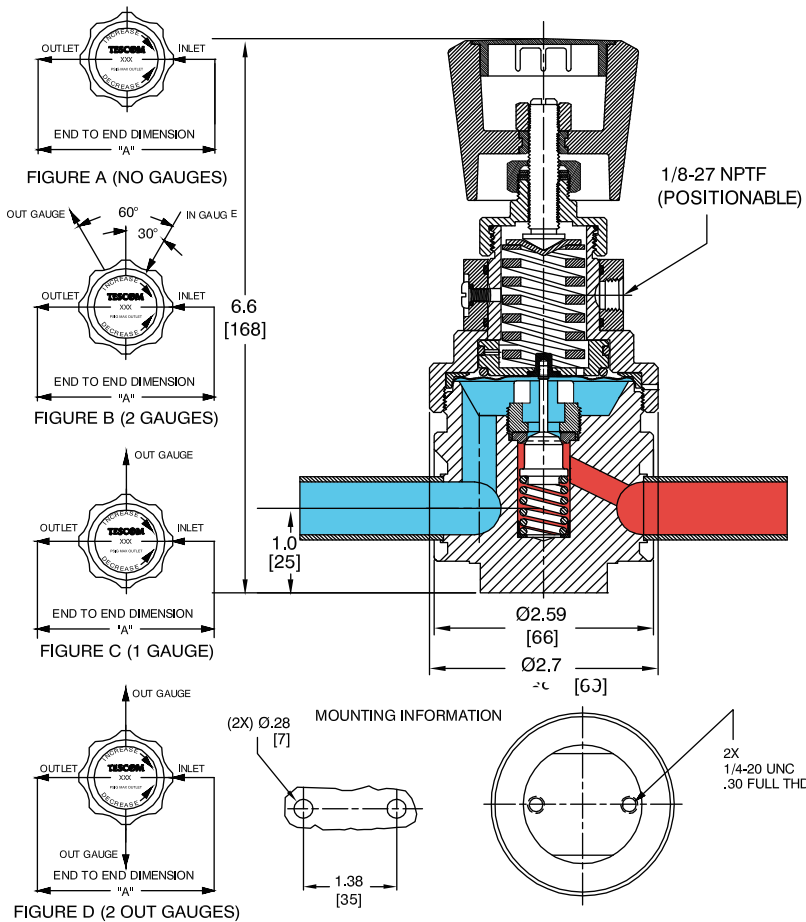
PTCFE阀座: -40~60 °C  
Teflon®阀座: -40~71 °C  
Vespel®阀座: -40~177 °C

- 流量系数: CV=1.2
- 材质

阀体: 316不锈钢电解抛光或  
316L VCR不锈钢电解抛光

膜片: 哈氏合金  
阀座固定器: 316不锈钢  
阀座: PTCFE, Teflon®, Vespel®  
弹簧: 316不锈钢, Eligiloy®  
弹簧: 316不锈钢  
其余部件: 316不锈钢

- 表面处理: 10Ra
- 接口: VCR, 焊接, H.P.I.C
- 内部容积: 32 cc
- 重量: 1.6 kg





选型表

系列	64-32	6	3	K	RL	3	0		
系列	阀体材质	光洁度	出口压力	阀座材质	出入口类型与尺寸	"A"	入口压力膜片材质	压力表接口类型与尺寸	数量 类型
64-32	4 - 316不锈钢 电解抛光	10Ra ASTM B 912	0 - 30PSI	K - PCTFE In,1000PSI In,1500PSI	T1 - 1" Tube Ends	5.75"	1 - 3500PSI 316不锈钢膜片	0 - 无	0 Figure A
			1 - 60PSI		T6 - 3/8" Tube Ends	3.70"		1 - 1/4" H.P.I.C	1 Figure C
	6 - 316VCR不锈钢 电解抛光	10Ra SEMF F19, HP	2 - 100PSI	T - Teflon® In,150PSI	T7 - 3/4" Tube Ends	5.75"	2 - 1000PSI 316不锈钢膜片	2 - 1/4" H.P.I.C	2 Figure B
			3 - 150PSI In,1000PSI In,1500PSI		V - Vespel® In,1000PSI In,1500PSI	T8 - 1/2" Tube Ends		3.70"	3 - 150PSI 316不锈钢膜片
			4 - 200PSI In,500PSI In,1000PSI	V - Vespel® In,1000PSI In,1500PSI		RA - 1/4" Male Ficed	3.70"	4 - 3500PSI 哈氏合金膜片	
					RB - 3/4" Male Swivel	6.30"	5 - 1/4" Male Swivel		1 Figure C
					RC - 3/4" Female Swivel	6.30"	5 - 1000PSI 哈氏合金膜片	6 - 1/4" Male Swivel	2 Figure B
					RG - 1/4" Male Swivel Hi Flow	4.27"		7 - 1/4" Female Swivel	2 Figure D
					RK - 1/2" Male Swivel	5.59"	6 - 150PSI 哈氏合金膜片	8 - 1/4" Female Swivel	1 Figure C
					RL - 1/2" Female Swivel	5.59"		9 - 1/4" Female Swivel	2 Figure B
					RU - 1/4" Male Fixed, In 1/4" Female Swivel, Out	3.70"	N - 1/4" Tube Stub	2 Figure B	
					RV - 1/4" Female Swivel, In 1/4" Male Swivel, Out	5.59"	P - 1/4" Tube Stub	1 Figure C	
					RY - 1/4" Female Fixed Hi Flow, In 1/4" Male Fixed, Out	4.27"	R - 1/4" Tube Stub	2 Figure D	
					RZ - 1/2" Female Swivel, In 1/2" Male Swivel, Out	5.59"	S - 1/4" Fixed Male	2 Figure B	
					SA - 1/4" Male Fixed	4.08"	T - 1/4" Fixed Male	1 Figure C	
					SK - 1/2" Male Swivel	5.21"	U - 1/4" Fixed Male	2 Figure D	

