

NEW

VMS ergo



Revision No.: 01

The All-In-One video measuring microscope

- Ergonomic concept
- Compact design
- Easy to use
- Latest vision technology
- Measuring software OMS



Technische
Mikroskopie

The principal ergonomic orientated design of the video measuring microscope **VMS ergo** assures concentrated fatigue-proof operation. All operating devices are easy to reach.

Also the high quality from UHL is well known.

The microscope can be installed on a normal desk with a few steps. Only the main power cord, the keyboard and the mouse must be connected. All components are integrated in the base.

The resolution of the hand driven xy-stage with linear scales is 1 μm . Stage movement is done by the unique coarse and fine adjustment.

Telecentric measuring objectives guarantee a high quality, plane and distortionless image.

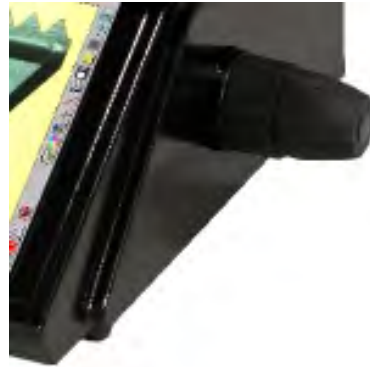
The latest vision technology is used.

The **optical measuring software OMS** is easy to use and solves all required measurements in a flexible way.

Outstanding ergonomical features:



Integrated display with optimized view angle in the base.



The coarse- and fine-focus is placed at a easy to reach height in the base.



The illumination controls are positioned ergonomical at the left side.

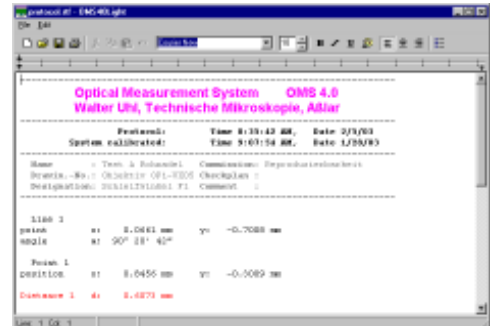
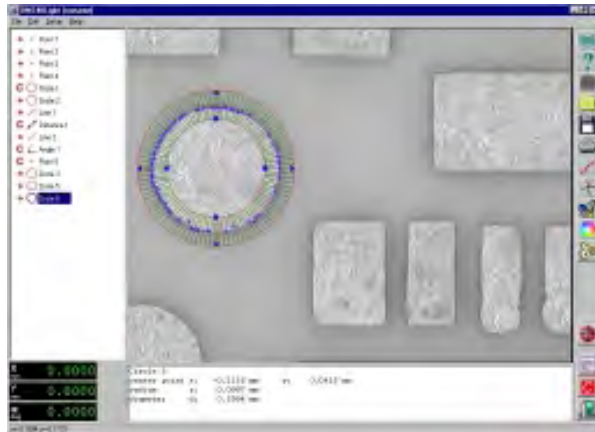




The optical measurement software OMS

The measuring microscope **VMS ergo** is equipped with the flexible, easy-to-learn measuring software for two dimensional measurements of primary samples and small batches, for use in laboratories or production areas.

OMS is available in english or german language.



- Immediate result display in a text protocol.

- Easy in programming of measuring sequences by teach-in mode and additionally the possibility of automated edge findings.
- Simple manual placement of the measuring points in the video image via the mouse.
- Element-related combination of geometrical forms in a tree structure.

Revision No.: 01



- Intuitively usable tools are available for the automatic edge detection of point, line, circle and circle sector.



- Rectangular-, circle-, grid- and importable screen-masks in vector format are available for the fast visual evaluation.



- Various functions for calculating or combining already measured geometric elements.



Technical specifications:

Measurement range X/Y: 150 x 100 mm
Range of movement Z: 150 mm (linear scale optional)
Resolution: 1 µm
Measuring accuracy: 1,8 µm + 0,005 x L µm (measuring length L in mm)
Objective: 2:1 with bayonet mount (1:1, 5:1, 10:1 and 20:1 optional)
Camera: CMOS color camera with 1280 x 1024 pixels resolution
Illumination: LED ring-illumination, coaxial transmitted- and incident-illumination with base integrated controls
Weight: approx. 35 kg

Tel. (0 64 41) 8 86 03
 Fax (0 64 41) 8 57 18

www.walteruhl.com

Order No.:

**VS3
 VM4-101**

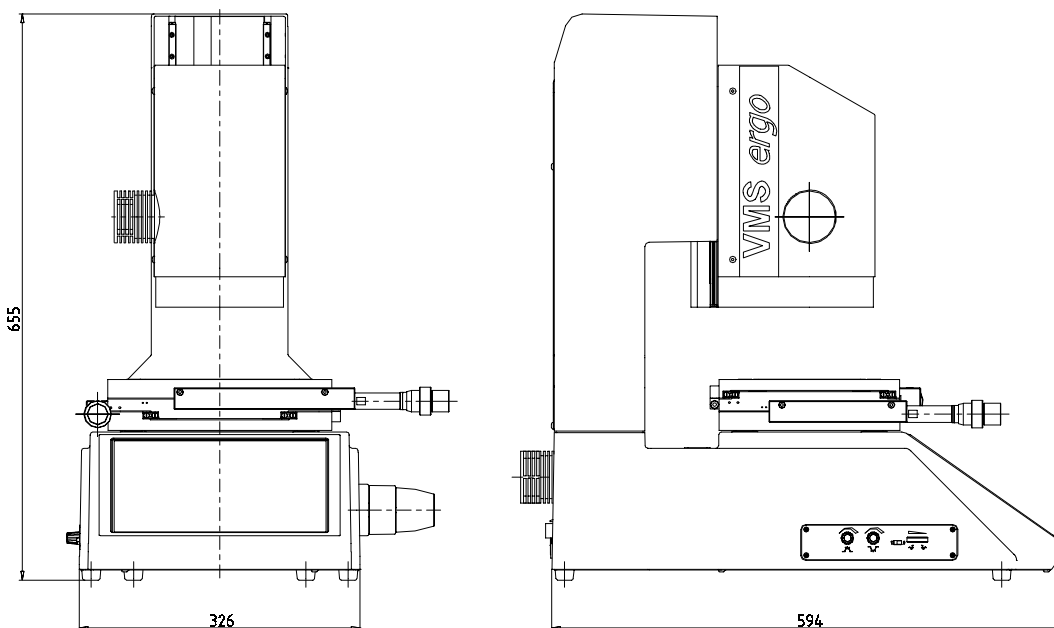
Video measuring microscope VMS *ergo*
 Measuring system for coordinate direction z

Telecentric measuring objectives, long working distances, bayonet mount

Order-No.	magnification	numerical aperture	working-distance	field of view with 1/2" camera [mm]
OP1-M01	1 : 1	0,03	88	6,3 x 4,7
OP1-M02*	2 : 1	0,06	85	4,1 x 2,3
OP1-M05	5 : 1	0,13	62	1,2 x 0,9
OP1-M10	10 : 1	0,20	52	0,6 x 0,45
OP1-M20	20 : 1	0,35	30	0,3 x 0,2

* included in the extent of supply

Dimensions:



Specifications are about to change without notice!

