

ML LED Indicator

Bright and Variable Illumination makes easy planning of multiple design. Dome type which is easy to recognize illumination also available.

30mm square and round type indicator with easy $\phi 25$ mm hole mounting.

■ FEATURES

- Size and Shape : 30mm square flat type and dome type. 30mm round flat type and dome type.
- Depth behind panel : Only 29mm
- Illumination : Mono-Color, Dual-Color (simultaneous lighting available)
- LED Color : Hi-Bright LED Super Blue, Super White, Super Green added to Red, Green, Yellow.
- Mounting : $\phi 25$ mm hole mounting with screwing.
- Terminal : #187 Tab/Solder and Screw provided.
- Protection : Oil and Water-Tight (IP65) type available.



SPECIFICATIONS

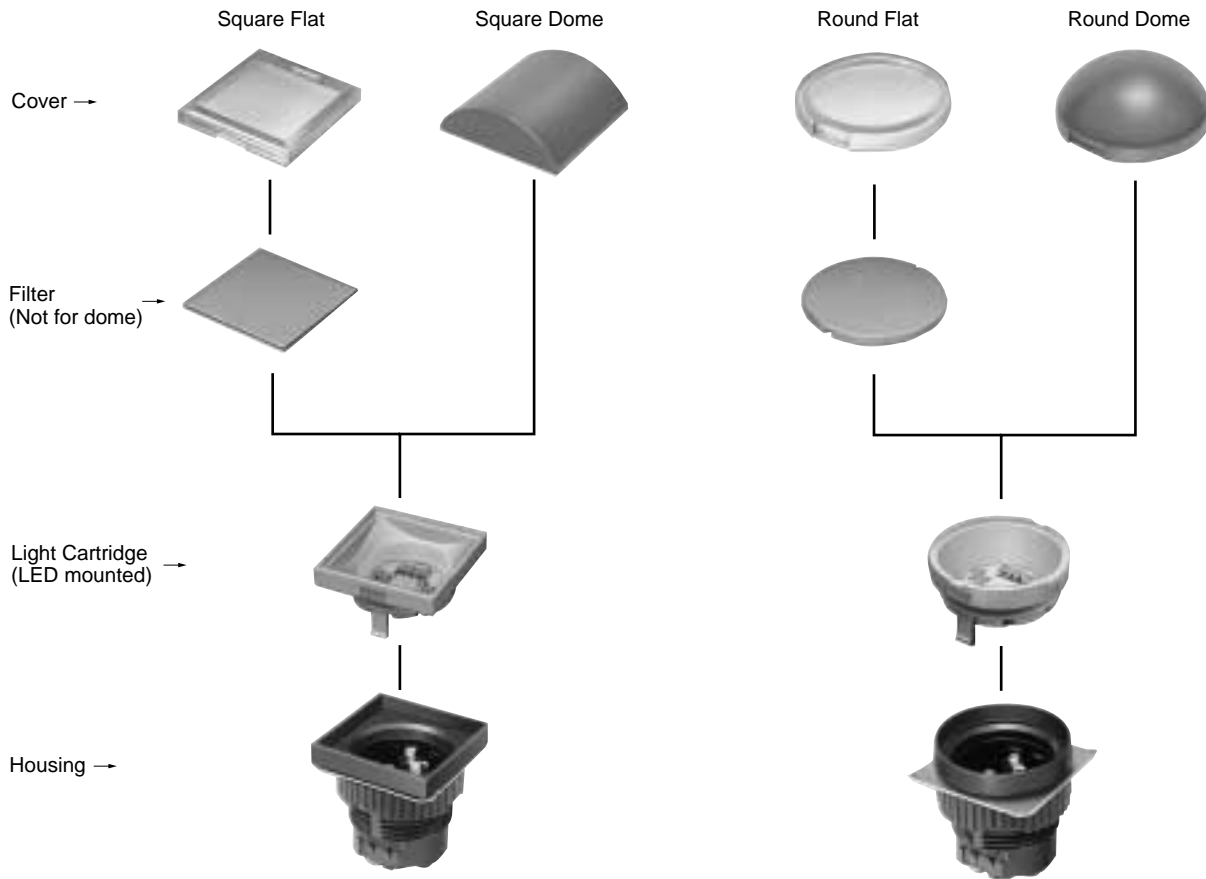
Item	SPECIFICATIONS
Insulation Resistance	More than 100M Ω at 500V DC
Dielectric Strength	1500V AC RMS between terminals and ground 50/60Hz for 60sec. At normal ambient temperature and humidity
Ambient Temperature	-10°C~40°C
Ambient Humidity	45~85%RH

LED DATA

* R=Red, Y=Yellow, G=Green, SB=Super Blue, SW=Super White, SG=Super Green

DC Supply Voltage (V)	Current Rating (mA)											
	Mono-Color						Dual-Color					
	R	G	OY	SB	SW	SG	R	G	OY	SB	SW	SG
DC12V ($\pm 5\%$)	12	28	28	22	22	24	12	22	16	16	16	18
DC24V ($\pm 5\%$)	6	14	14	11	11	12	6	11	8	8	8	9


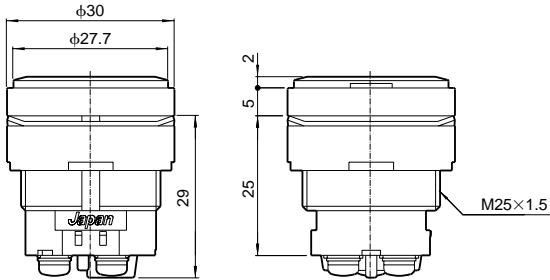
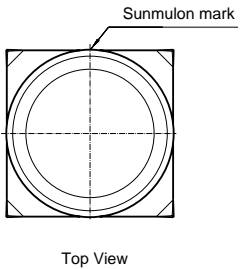

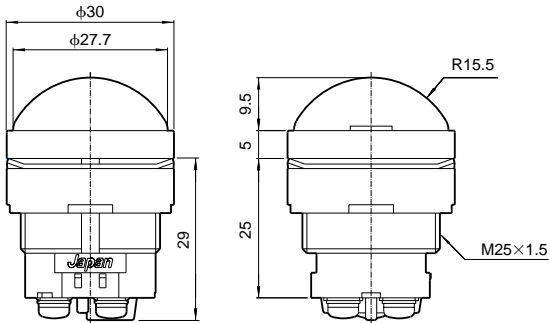
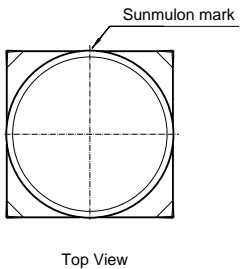
STRUCTURE



DIMENSIONS

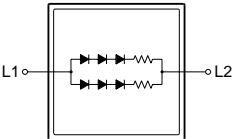
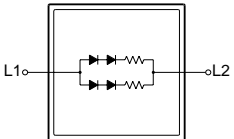
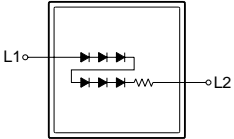
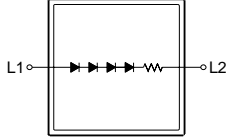
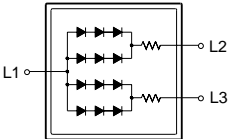
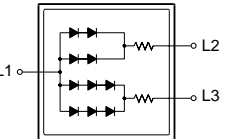
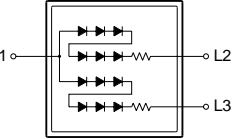
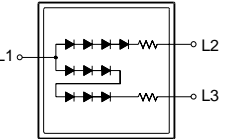
30mm square	Flat type				<p>Top View</p>
	Dome type				<p>Top View</p>

DIMENSIONS

30mm round	Flat type			
	Dome type			

INTERNAL CONNECTION ARRANGEMENTS

* R=Red, Y=Yellow, G=Green, SB=Super Blue, SW=Super White, SG=Super Green

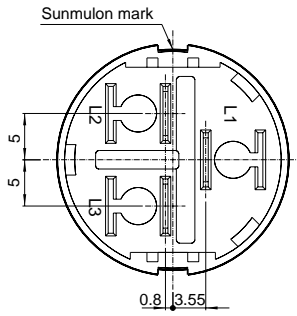
Mono-Color	12V		
	24V		
Dual-Color	12V		
	24V		

● Dual-Color Combination

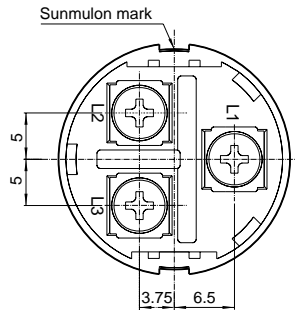
L1-L2	R	G	OY	SB	SB	SB
L1-L3	G	OY	R	R	G	OY
L1-L2	SW	SW	SW	SG	SG	SG
L1-L3	R	G	OY	R	G	OY

TERMINALS

● TERMINAL LAYOUT



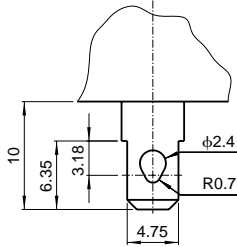
#187 Tab/solder terminal



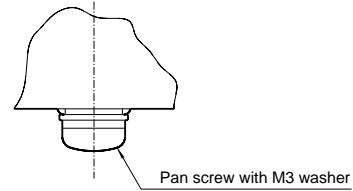
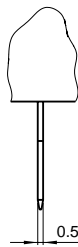
Screw terminal

Terminal No.	Mono-Color	Dual-Color
L1	Anode(+)	Anode(+)
L2	Cathode(-)	Cathode(-)
L3		Cathode(-)

● TERMINAL SHAPE



#187 Tab/solder terminal



Screw terminal

Panel Layout / Panel Cut Dimensions

Panel thickness: 1 ~ 6mm

	Panel Layout	Panel Cut Dimensions
Square Flat		
Square Dome		
Round Flat		
Round Dome		

n : number of unit (horizontal) m : number of unit (vertical)
 *Panel Cut Dimension should be after panel paintings.

Tolerance : ±0.4mm

ACCESSORIES

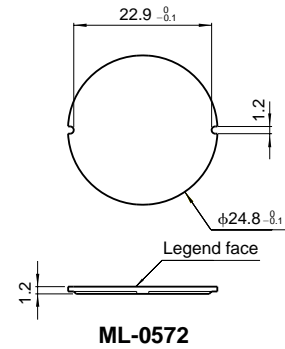
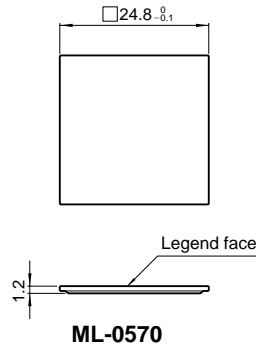
● Mounting Tool

Part No. : ML-0610

Recommended tool for mounting unit on panel.



FILTER DIMENSIONS



REPLACEMENT PARTS

● COVER

Color	Clear	Red	Green	Orenge Yellow	Yellow	Blue	Milk White
Item							
Square Flat	ML-0566-CC						
Square Dome		ML-0568-LR	ML-0568-LG	ML-0568-LO	ML-0568-LY	ML-0568-LB	ML-0568-LM
Round Flat	ML-0567-CC						
Round Dome		ML-0569-LR	ML-0569-LG	ML-0569-LO	ML-0569-LY	ML-0569-LB	ML-0569-LM

● FILTER

Color	Red	Green	Orenge Yellow	Yellow	Blue	Milk White
Item						
Square	ML-0570-LR	ML-0570-LG	ML-0570-LO	ML-0570-LY	ML-0570-LB	ML-0570-LM
Round	ML-0572-LR	ML-0572-LG	ML-0572-LO	ML-0572-LY	ML-0572-LB	ML-0572-LM

ORDERING CODE

ML — 1 2

● SHAPE & ILLUMINATION

S0	Square Flat Mono-Color
T0	Square Dome Mono-Color
R0	Round Flat Mono-Color
M0	Round Dome Mono-Color
S3	Square Flat Dual-Color
T3	Square Dome Dual-Color
R3	Round Flat Dual-Color
M3	Round Dome Dual-Color

● LED COLOR

7	R	Mono-Color : Put color no. into the frame 1
8	G	
9	OY	Dual-Color Put color no. into the frame 1,2(79, 89, 97, 147, 148, 149, 167, 168, 169, 187, 188, 189)
14	SB	
16	SW	
18	SG	

● COVER

C	Clear	SquareFlat, Round Flat
R	Red	Square Dome, Round Dome
G	Green	
O	Orenge Yellow	
Y	Yellow	
B	Blue	
M	Milk White	

● HOUSING

K	Black
H	Gray

● PROTECTION

A	No Protection
B	Oil and Water-tight (IP65) version

● TERMINAL

B	Screw
P	#187 Tab/solder

● SUPPLY VOLTAGE

2	12V
3	24V

● FILTER COLOR

1	Red
2	Green
3	Orenge Yellow
4	Milk White
6	Blue
8	Yellow
×	Without Filter

● NOTES

- Dual-Color combination : 78, 89, 97, 147, 148, 149, 167, 168, 169, 187, 188, 189 only. Cover for dome type and Filter color to be Milk-White.
- In case of selecting Dome type, filter is not needed, so please select Without filter(×)
- In case of selecting Yellow Cover or Yellow Filter, LED Color should be selected 8(green).

Tolerance : ±0.4mm