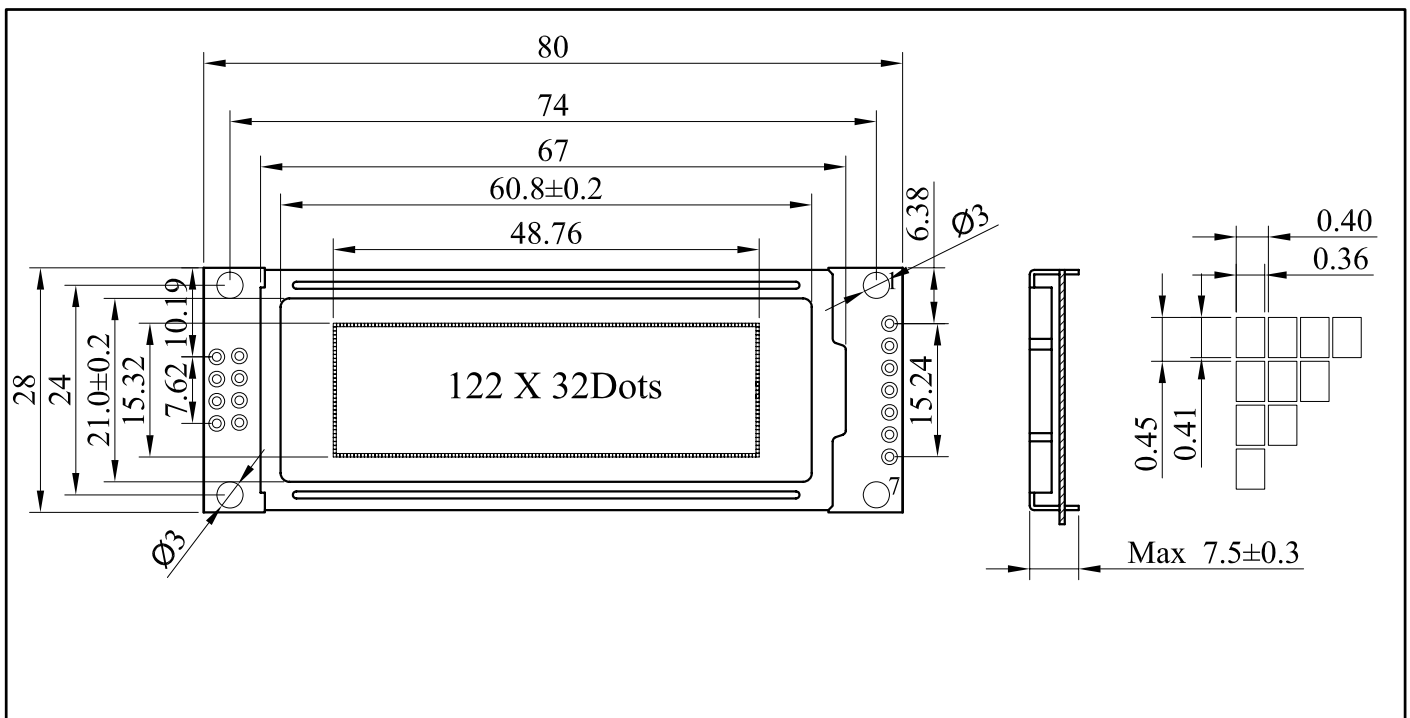


# DM12232F-3

\*122x32DOTS 1/32Duty 1/16Bias  
Yellow-Green or Blue mode STN Transflective



## ABSOLUTE MAXIMUM RATINGS

Item	Symbol	Min.	Max.	Unit
Supply Voltage(Logic)	Vdd - Vss	-0.3	3到5.0	V
Supply Voltage(LCD)	Vdd - V0	-0.3	+5.0	V
Input Voltage	Vi	-0.3	Vdd + 0.3	V
Operating Temp.	Topr	-20	70	°C
Storage Temp.	Tstg	-30	80	°C

## MECHANICAL DATA

Item	Max.	Unit
Module Size (W X H X T)	80 X 28 X 7.5	mm
Viewing Area(W X H)	60.8 X 21.0	mm
Dot Pitch(W X H)	0.40 X 0.45	mm
Dot Size(W X H)	0.36 X 0.41	mm
View Angle	6 or 12 O'Clock	

## ELECTRICAL CHARACTERISTICS (Vdd=5V±0.25V)

Item	Symbol	Test Condition	Min.	Typ.	Max.	Unit
Input High Voltage	Vih	--	2.0	--	Vdd	V
Input Low Voltage	Vil	--	-0.3	--	0.8	V
Output High Voltage	Voh	Ioh=-0.2mA	2.4	--	Vdd	V
Output Low Voltage	Vol	Iol=-1.6mA	0	--	0.4	V
Supply Current	Idd	Vdd=5.0V	--	0.6	1.0	mA
LCD Driving Voltage	Vdd - V0	Ta=25°C	--	4.7	--	V

## PIN CONNECTIONS

Pin	Symbol	Level	Function
1	VSS	0V	逻辑地
2	VDD	3.0 - 5.0V	模块电源正端
3	VO		对比度调节可以不接
4	RS(CS)	H/L	片选信号
5	RW(SID)	H/L	串行数据端
6	E(CLK)	H/L	串行同步时钟
7	RST	L	复位信号 L: 复位 H: 正常
8	LED+		背光电源端(3V或5V)
9	LED+		
10	LED-		
11-15	NC		

## BLOCK DIAGRAM

