



Technical data // **PT65 1 01 L254 -**

Rotary Code Switch

Left angular 2.54 mm pitch | Through Hole Technologie



**Highlights**

- Solid PCB pins
- Contacts with abrasion resistant hard gold plating
- Extra sealed design
- Switches are solder and flux sealed and washable
- Excellent detent, once more improved
- 100 % electronic inspection and testing

**Mechanical Data**

Type	vertical
Fixation mode	THT
Height	10.0 mm
Length	9.34 mm
Width	10.0 mm
Pin connection	3+3
Torque	(typically) 1.7 Ncm
Mechanical lifetime	30.000 steps
Positions per rotation	10   16 - more versions on request
Perm. ambient temperature	-40 °C ... +85 °C
Perm. storage temperature	-40 °C ... +85 °C
Degree of protection	comparable IP67
Sealing	O-Ring
Humidity	21 days at 40 °C, 93 %RH
Sinus-vibration testing	acc. IEC 68-2-6
Frequency range	10 Hz ... 500 Hz ... 10 Hz, sliding
Amplitude	6.0 mm
Acceleration	10.0 g
Shock testing	acc. IEC 68-2-27
Shock acceleration amplitude	50.0 g
Duration of nominal shock	11.0 ms
Directions	6 ( $\pm x$ , $\pm y$ , $\pm z$ ) 3 times each
Wave soldering	Double Wave acc. DIN EN 61760-1:2006



Technical data

// PT65 1 01 L254 -

Rotary Code Switch

Left angular 2.54 mm pitch | Through Hole Technologie

**Mechanical Data**

Iron soldering 2 s / 340 °C

**Electrical Data**

Operating voltage <= 42.0 V

Standby current <= 0.2 A

Contact load, dynamic <= 0.15 A

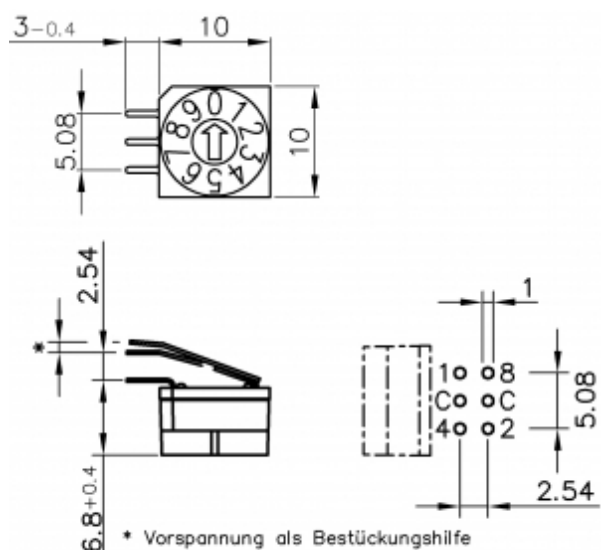
Minimum load 1.0 µA 20.0 mVDC

Test voltage 250.0 V 50 Hz / 1.0 min

Contact resistance < 80.0 mOhm

Insulation resistance > 100.0 MOhm

Technical Drawing



Initial tension for easy manual PCB assembly

Configuration

Actuators



Arrow-shaped slot



Technical data

// PT65 1 01 L254 -

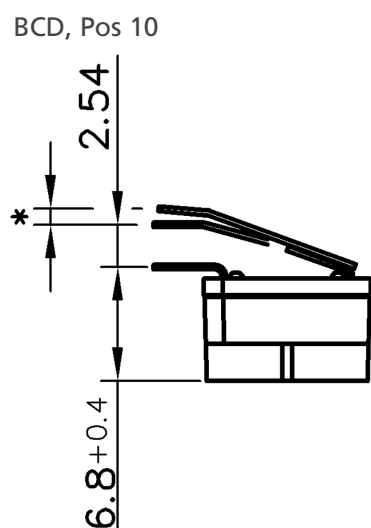
Rotary Code Switch

Left angular 2.54 mm pitch | Through Hole Technologie

Codes

BCD Typ 01					
	C	1	2	4	8
0	●				0
1	●	●			1
2	●		●		2
3	●	●	●		3
4	●			●	4
5	●	●		●	5
6	●		●	●	6
7	●	●	●	●	7
8	●				●
9	●	●			●

Contact pins



left angular 2.54 mm



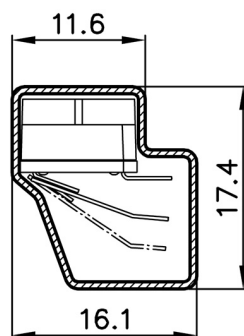
Technical data

**// PT65 1 01 L254 -**

Rotary Code Switch

Left angular 2.54 mm pitch | Through Hole Technologie

Packing depending on acuator



Tube PT65 1...L254