

E-BOX M12, 2个发光按键 FLEXLAB, 前圈 银金属色



主要应用领域

- › 测量-控制-校准
- › 机械制造
- › 工程机械
- › 工业机器人
- › 模具制造
- › 房屋安装

特性

- › 紧凑的尺寸。109 x 40 x 27 mm
- › RAFIX 22 FS+控制单元系列的各种执行器-指示器组合
- › 壳体上部为黄色，用于与急停执行器的组合
- › 外壳上部为灰色，用于按钮组合
- › 采用省时的单孔螺丝安装技术，特别适用于铝型材导轨或用M4螺丝直接安装。
- › 用M12插头连接：“即插即用”



描述

E-Box M12是一个可随时连接、设备齐全的外壳，包括执行器和开关元件。这样一来，E-Box的紧凑尺寸就可以实现紧急停止、开/关和上/下功能，以及附加的状态显示。E-Box M12可用于任何需要独立指挥设备单元的分散地点。例如，通常情况下，用于生产设施沿线或安全栅栏处的紧急停止应用。E-Box M12的尺寸是基于40mm型材导轨的边缘尺寸，安装理念也是为此而设计的。

技术参数

› 一般

操作器位置1	发光按键 FLEXLAB	直接链接
操作器位置2	发光按键 FLEXLAB	› RAFI eCatalog
壳体颜色	浅灰色	
卡圈颜色	深灰色	
前圈颜色	银金属色	
发光元件颜色	白色	
卡圈形状	圆形	
工作温度, 最低	-25 °C	
存储温度, 最低	-40 °C	
工作温度, 最高	70 °C	
存储温度, 最高	80 °C	
可发光	是	
发光元件	LED	
包装	包装纸盒	
包装数量	1 碎片	
净重	105.6 公克	
使用寿命	1.000.000 (10mA / 24V DC) 次	
B10 电的	1.300.000 (10mA / 24V DC) 次	
正面保护方式遵照DIN EN 60529	IP65	
背面防护方式遵照DIN EN 60529	IP65	
防护等级	II	

The information in this data sheet only contains general descriptions and / or performance features, which may not apply precisely as described to the respective application, and which may change due to further product enhancements. The technical data, illustrations and other information about our products are the mere results of individual technical testing. These descriptions and other product features are only binding if they expressly agreed upon at the time of the conclusion of a binding contract. In all other cases, we reserve the right to make technical changes as well as changes of availability. Pictures and other graphic illustrations are approximations only. All product names may be trademarks or brand names of the RAFI Group or any other sub-supplier of RAFI. The use of such by any third parties for their own purposes may infringe the rights of the respective entity holding those rights.

版本: 2021年7月30日 页数: 1/3

1.22.392.392/2200

北京 15601379173(微信) 13943752599 (长沙) 上海 18924626834 微信18926488741深圳

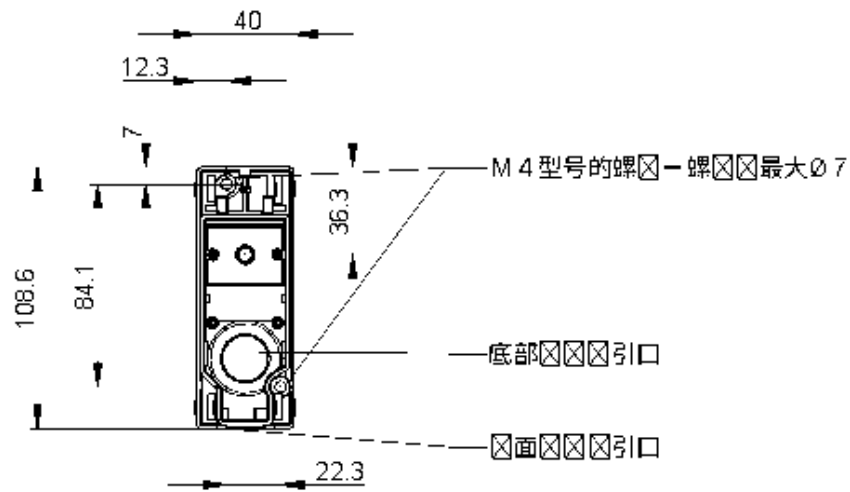
MOQ 秩序	5 碎片
RoHS 一致性	是
REACH 一致性	是
> 安装尺寸	
外径尺寸	123.2 毫米
外径尺寸	40 毫米
正面高度	35.6 毫米
> 机械特性	
触点材料	金
固定	安装夹
背面端子	M12 8-极 A-编码
PIN 1	常开 1
PIN 2	常开 1
PIN 3	常开 2
PIN 4	常开 2
PIN 6	GND
PIN 5	LED +
PIN 7	LED +
PIN 8	GND
> 电气特性	
发光元件的工作电压, 最大	24 V
额定电压, 最小	5 V
额定电压, 最大	35 V
电压型	AC / DC
额定工作电压	5-35 V
额定电流, 最小	0.001 A
额定电流, 最大	0.1 A
额定功率, 最大	0.25 Watt
功率损失	0.3 Watt

1.22.392.392/2200

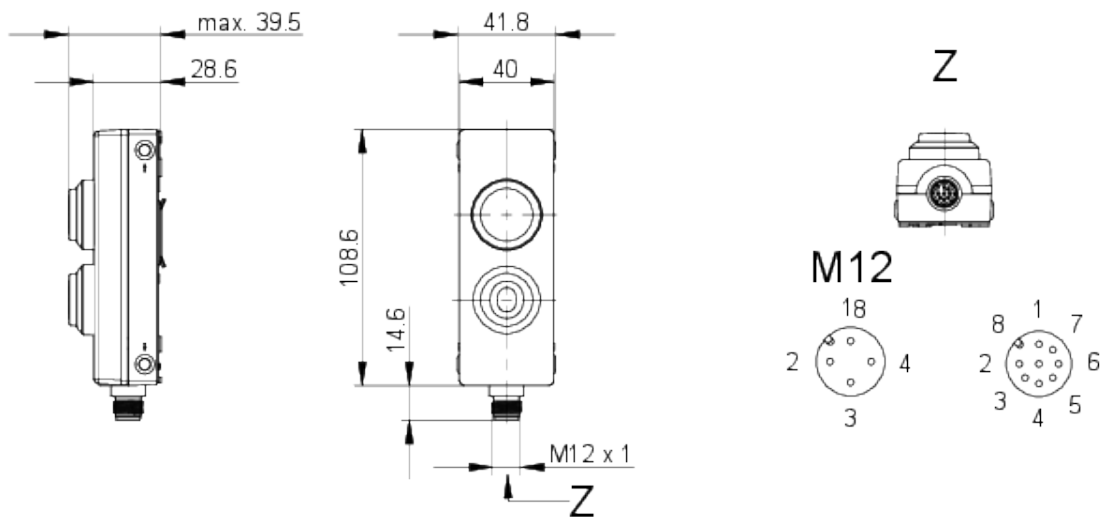
北京 15601379173(微信) 13943752599 (长沙) 上海 18924626834 微信18926488741深圳

图纸

尺寸图



系统示意图



The information in this data sheet only contains general descriptions and / or performance features, which may not apply precisely as described to the respective application, and which may change due to further product enhancements. The technical data, illustrations and other information about our products are the mere results of individual technical testing. These descriptions and other product features are only binding if they expressly agreed upon at the time of the conclusion of a binding contract. In all other cases, we reserve the right to make technical changes as well as changes of availability. Pictures and other graphic illustrations are approximations only. All product names may be trademarks or brand names of the RAFI Group or any other sub-supplier of RAFI. The use of such by any third parties for their own purposes may infringe the rights of the respective entity holding those rights.