

RAFIX 22 FS⁺发光按键, 平灯罩, 圆形卡圈, 自复位功能, 前圈 银金属色, 灯罩 黄色



主要应用领域

- › 测量-控制-校准
- › 电子工程
- › 机械制造
- › 汽车制造
- › 手动操作设备
- › 工业机器人

特性

- › 发光按键, 灯罩的照明用SMT-LED
- › 微小嵌入深度9.2mm (PCB) 或27mm (QC)
- › 独特的触感反馈
- › 适合戴手套操作
- › 接口方式: 电路板接口 (PCB) 或快插端子 (QC)
- › PCB触点模块将安装错误降到最少
- › 带银触的触点模块 (最大电流 250 V/4 A) 或带金触的 (最大电流 35 V/100 mA)
- › 通过短行程适配器可把MICON 5 短行程按钮作为触点模块使用
- › 不同的前圈变型可与设计相匹配
- › 防护等级: IP65 前端
- › 2种卡圈形状: 圆形和正方形



描述

RAFIX组合开关在RAFI被定义为模块式元件, 由操作元件、所需连接器和各自的接触或照明单元组成。

操作元件 (如按钮、急停操作器等) 拥有设计时预先考虑到的可触性、复位功能和仅与相应合适的触点模块相组合的功能

带半透明灯罩的按键/按钮 与相应的触点模块相结合可使灯罩全面积发光。

技术参数

› 一般

可拆卸	没有
灯罩颜色	黄色
边框/蘑菇属性	半透明
前圈颜色	银金属色
卡圈形状	圆形
工作温度, 最低	-25 °C
存储温度, 最低	-40 °C
工作温度, 最高	70 °C
存储温度, 最高	80 °C
可发光	是
包装	包装纸盒

The information in this data sheet only contains general descriptions and / or performance features, which may not apply precisely as described to the respective application, and which may change due to further product enhancements. The technical data, illustrations and other information about our products are the mere results of individual technical testing. These descriptions and other product features are only binding if they expressly agreed upon at the time of the conclusion of a binding contract. In all other cases, we reserve the right to make technical changes as well as changes of availability. Pictures and other graphic illustrations are approximations only. All product names may be trademarks or brand names of the RAFI Group or any other sub-supplier of RAFI. The use of such by any third parties for their own purposes may infringe the rights of the respective entity holding those rights.

版本: 2021年10月19日 页

数: 1/5

1.30.270.031/2400

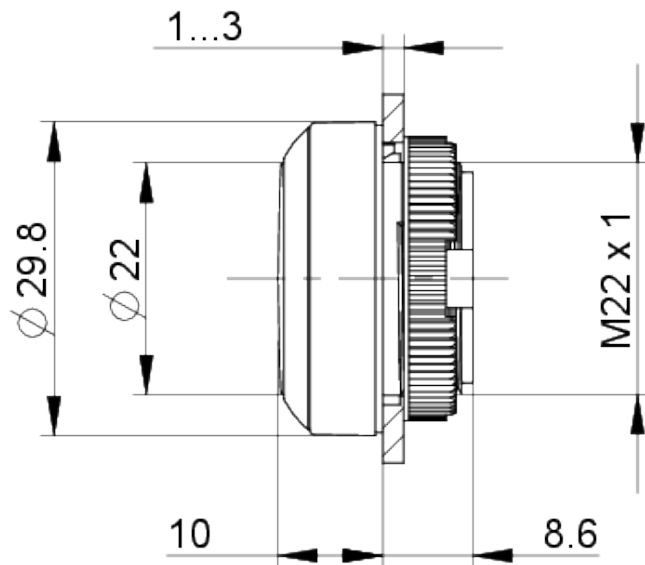
北京 15601379173(微信) 13943752599 (长沙)

上海 18924626834 微信18926488741深圳

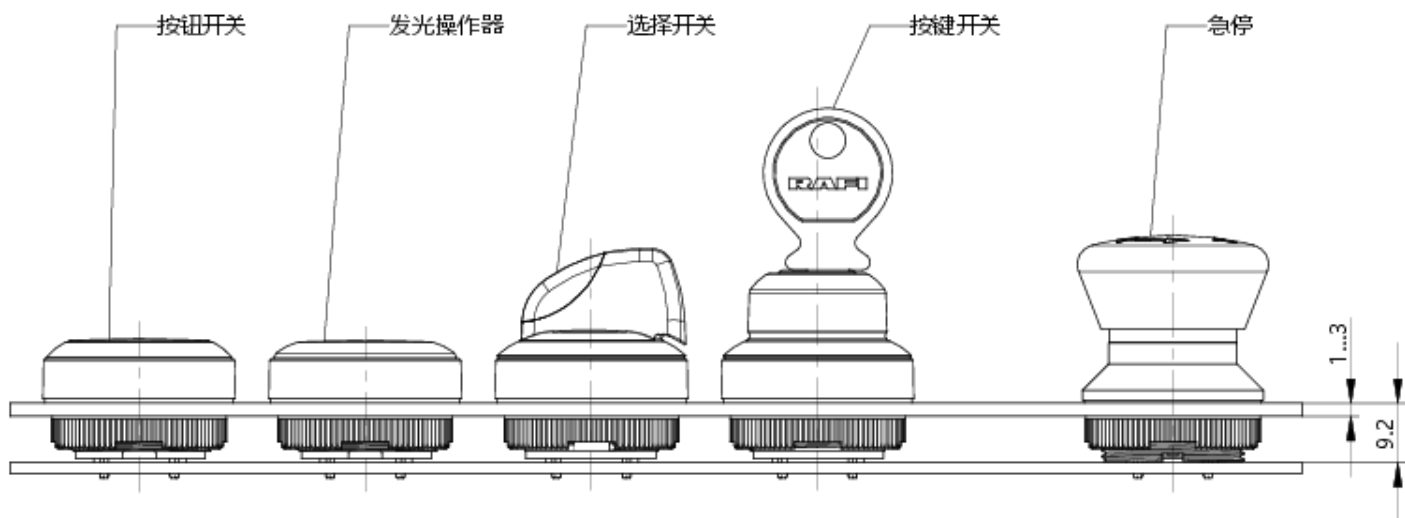
包装数量	10 碎片
净重	6.5 公克
使用寿命	500,000 次
B10	650,000 次
正面保护方式遵照DIN EN 60529	IP65
UL Enclosure Type Rating/正面外壳类型评估	type 1 type 4X
环境影响耐抗性	IEC 60068-2-14 IEC 60068-2-30 IEC 60068-2-33 IEC 60068-2-78
根据标准抗盐雾	IEC 60068-2-11
MOQ 秩序	10 碎片
RoHS 一致性	是
REACH 一致性	是
> 安装尺寸	
安装孔	22.3 毫米
安装深度	9.2 毫米
安装高度	9.85 毫米
矩阵安装间距, 最少	30 x 30 毫米
外径尺寸	29.8 毫米
外径尺寸	29.8 毫米
正面高度	18.5 毫米
卡圈尺寸	ø 29,8 毫米
> 机械特性	
操作功能	自复位功能
操作力, 最大	100 N
操作路径, 最大	4 毫米
固定	螺圈
螺圈扭矩, 最大	1.2 牛顿计

图纸

尺寸图

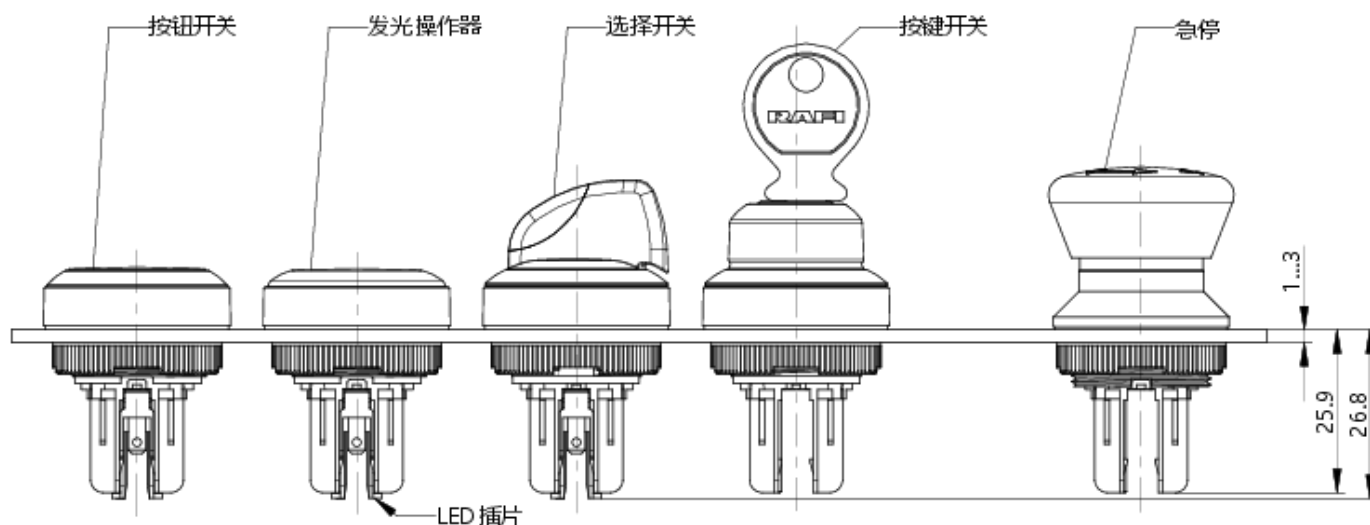


系统示意图

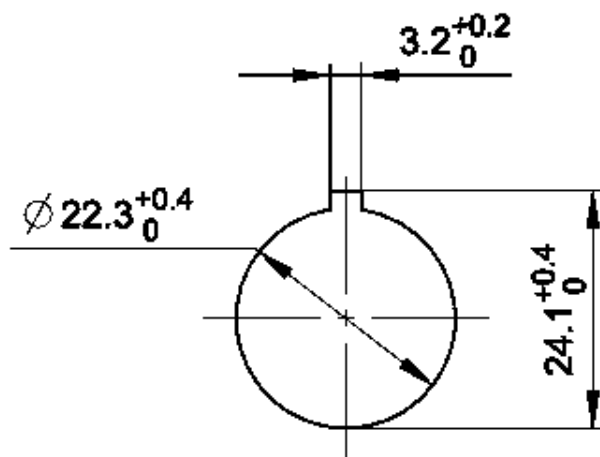


The information in this data sheet only contains general descriptions and / or performance features, which may not apply precisely as described to the respective application, and which may change due to further product enhancements. The technical data, illustrations and other information about our products are the mere results of individual technical testing. These descriptions and other product features are only binding if they expressly agreed upon at the time of the conclusion of a binding contract. In all other cases, we reserve the right to make technical changes as well as changes of availability. Pictures and other graphic illustrations are approximations only. All product names may be trademarks or brand names of the RAFI Group or any other sub-supplier of RAFI. The use of such by any third parties for their own purposes may infringe the rights of the respective entity holding those rights.

系统示意图



安装孔位图



acc. to IEC 60947-5-1

The information in this data sheet only contains general descriptions and / or performance features, which may not apply precisely as described to the respective application, and which may change due to further product enhancements. The technical data, illustrations and other information about our products are the mere results of individual technical testing. These descriptions and other product features are only binding if they expressly agreed upon at the time of the conclusion of a binding contract. In all other cases, we reserve the right to make technical changes as well as changes of availability. Pictures and other graphic illustrations are approximations only. All product names may be trademarks or brand names of the RAFI Group or any other sub-supplier of RAFI. The use of such by any third parties for their own purposes may infringe the rights of the respective entity holding those rights.

前面板示意图

