

Panasonic代理商 全国统一热线 4006-022-002

www.shuntu.net

shunto@126.com

www.nais-omron.com

4点单元继电器 PA继电器型 relay松下继电器 NAIS正规授权代理商 Panasonic relay module
松下继电器模组，松下继电器模块组，

1. 实现了细长、省空间的 4点输出。机械继电器配备型。配置半导体继电器，维护自由。
33mm的省空间细长型、独立 4点、底面积仅为 33×67mm。实现了控制盘与机器的小型化。
2. Au包层双芯接点的 PA继电器。搭载宽度 5mm的 PA继电器。对于 PA继电器而言，通过高灵敏度（12V型:120mW、24V型:180mW）的 Au包层双芯接点，即使微小负载也可具有较高的可靠度。
3. 可使用 DIN导轨安装，也可使用直接安装（螺丝安装）。
4. 附带 LED显示，使操作确认简易化。
5. 内置电涌吸收线路。内置线圈电涌的吸收线路。保护控制器的线路，防止误操作。
6. 继电器可通过附属于本体的拆除键简易拆除。
7. 为提高安全性，装有外部保护罩。

订货产品号	型番	产品名
AY30000	RT3BB	4点单元继电器 relay松下继电器 NAIS固态继电器
AY30001	RT3BB-12V	4点单元继电器 relay松下继电器 NAIS固态继电器
AY30002	RT3BB-24V	4点单元继电器 relay松下继电器 NAIS固态继电器
AY33001	RT3S-12V	4点单元继电器 relay松下继电器 NAIS固态继电器
AY33002	RT3S-24V	4点单元继电器 relay松下继电器 NAIS
AY33009	RT3S-5V	4点单元继电器 relay松下继电器 NAIS
AY34001	RT3SP1-12V	4点单元继电器 relay松下继电器 NAIS
AY34002	RT3SP1-24V	4点单元继电器 relay松下继电器 NAIS
AY35001	RT3SP2-12V	4点单元继电器 relay松下继电器 NAIS
AY35002	RT3SP2-24V	4点单元继电器 relay松下继电器 NAIS

Panasonic
ideas for life**SLIM, SPACE-SAVING
RELAY TERMINAL FOR
4-POINT OUTPUT****RT-3 UNIT RELAY**
(PA Relay type)**FEATURES**

1. Space-saving type (33 mm 1.299 inch wide) with four independent points on a base measuring 33 × 67 mm 1.299 × 2.638 inch. This contributes to a more compact control panel.

2. PA relays, which have high sensitivity Au clad twin contacts, are installed.

PA relays, 5 mm .197 inch wide, are installed. The PA relays feature high sensitivity (12 V type: 120 mW, 24 V type: 180 mW) and twin contacts with Au-cladding, which combine to ensure high reliability even with minute loads.

3. Can be mounted on a DIN rail or mounted directly (by screw).

4. Equipped with an LED display to allow easy confirmation of operation.

5. Incorporates a surge protector.

Incorporates an absorber circuit for coil surges. This protects the circuitry of the controller and prevents operation errors.

6. Relay installation and removal can be easily accomplished with the removal key accessory.

7. Includes a cover as standard equipment for increased safety.

Compliance with RoHS Directive**TYPES**

Contact arrangement	Rated input voltage	Part No.
1 Form A × 4	12 V DC	RT3S-12V
	24 V DC	RT3S-24V

Packing quantity: Carton: 1 pc.; Case: 20 pcs.

Notes: 1. Cannot be equipped with Power PhotoMOS standard type relays. However, equipping with voltage-sensitive type of Power PhotoMOS relays (AQZ○○○○) is possible.

2. 5 V DC units are also available. Please inquire.

3. Please inquire about other contact arrangement.

4. Empty 4-point terminal, which no relay is pre-installed on, is also available (Part No.: RT3BB).

RATING**1. Input ratings (per PA relay)**

Part No.	Rated input voltage	Input current (at rated input voltage, 20°C 68°F) (approx.)	Allowable variation of rated input voltage (-20 to +55°C -4 to +131°F)
RT3S-12V	12 V DC	11.5 mA (Relay 10 mA + LED 1.5 mA)	12 V DC ± 10%
RT3S-24V	24 V DC	10.5 mA (Relay 7.5 mA + LED 3 mA)	24 V DC ± 10%

2. Relay coil specifications (per PA relay) (ref. value)

Relay part No.	Rated coil voltage	Pick-up voltage (at 20°C 68°F) (Initial)	Drop-out voltage (at 20°C 68°F) (Initial)	10% Coil resistance (±10%) (at 20°C 68°F)	Rated consumption power
PA1a-12V	12 V DC	70%V or less of nominal voltage	5%V or more of nominal voltage	1,200 Ω	120 mW
PA1a-24V	24 V DC			3,200 Ω	180 mA

3. Output ratings (per PA relay)

Specification	Item	Performance
Contact rating	Rated control capacity (resistive load)	3 A 250 V AC, 3 A 30 V DC
	Maximum allowable contact power (resistive load)	500 VA (AC), 60 W (DC)
	Maximum allowable contact voltage	250 V AC, 30 V DC
	Maximum allowable contact current	3 A
	Minimum load (ref. value)	100 mV 100 μA
Expected life	Electrical (resistive load)	Min. 3 × 10 ⁴ : 3 A 250V AC Min. 3 × 10 ⁴ : 3 A 30V DC Min. 10 ⁵ : 2 A 250V AC, Min. 10 ⁵ : 2 A 30V DC
	Mechanical	Min. 2 × 10 ⁷ (at 180 cpm)

SPECIFICATIONS

Item	Specifications	
Breakdown voltage	Between input and output	2,000 Vrms for 1 min.
	Between different terminals (between relays, both ways)	1,500 Vrms for 1 min.
Insulation resistance	Min. 100 MΩ (Using 500 V DC megger)	
Vibration resistance (destructive)	10 to 55 Hz at double amplitude 1 mm .039 inch	
Vibration resistance (functional)	10 to 55 Hz at double amplitude 1 mm .039 inch	
Shock resistance (destructive)	Min. 196 m/s ²	
Shock resistance (functional)	Min. 98 m/s ²	
Ambient temperature	-20°C to +55°C -4°F to +131°F	
Ambient humidity	35% to 85% R.H. (Not condensing)	
Storage temperature	-30°C to +80°C -22°F to +176°F (Not freezing and condensing)	
Terminal screw fasten torque	0.3 to 0.5 Nm {3 to 5 kgf-cm}	
Coil surge absorber	Diode (1 A, 400 V)	
Cross connection protecting diode	1.5 A, inverse voltage 40 V	
Unit weight	Approx. 100 g 3.53 oz	

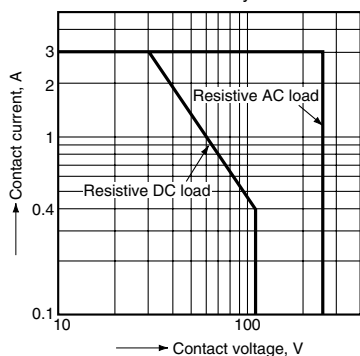
Notes: 1. The value of breakdown voltage and insulation resistance is the initial one.

2. Condensing occurs when the unit relay is exposed to sudden temperature change in a high temperature and high humidity atmosphere. This may cause some troubles like insulation failure of the socket or the print circuit board. Take care under this condition

3. Below 0°C 32°F, condensing water can freeze and cause socket contact failures and other problems. Take care under this condition.

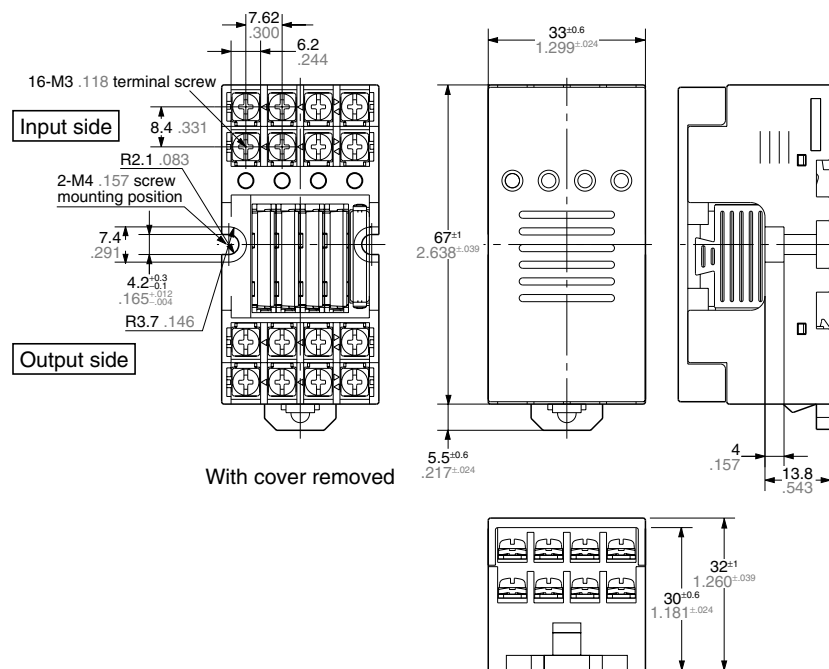
REFERENCE DATA

Maximum value for switching capacity (output)
Per PA relay

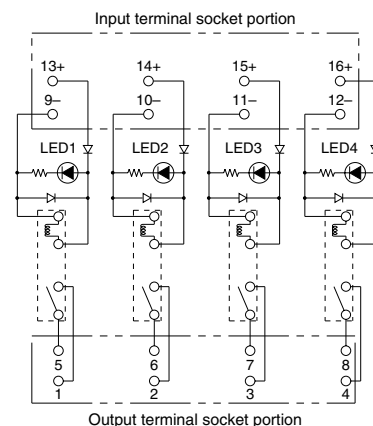


DIMENSIONS (Unit: mm inch)

External dimensions

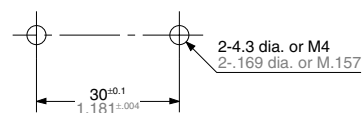


Schematic



Note: Cannot be equipped with Power PhotoMOS standard type relays. However, equipping with voltage sensitive type of Power PhotoMOS relays (AQ○○OD) is possible.

Mounting hole pattern



General tolerance: ±0.3 ±0.12

* For Accessories, see page 210.

**For Caution for Use, see page 209.