

# General Specifications

## EJX510A and EJX530A Absolute and Gauge Pressure Transmitter



GS 01C25F01-01E

The high performance absolute and gauge pressure transmitter EJX510A and EJX530A feature single crystal silicon resonant sensor and are suitable to measure liquid, gas, or steam pressure. EJX510A and EJX530A output a 4 to 20 mA DC signal corresponding to the measured pressure. It also features quick response, remote setup and monitoring via BRAIN or HART communications, self-diagnostics, and optional status output for pressure high/low alarm. FOUNDATION Fieldbus protocol type is also available.

All EJX series models in their standard configuration, with the exception of the Fieldbus type, are certified by TÜV as complying with SIL 2 for safety requirement.



### ■ STANDARD SPECIFICATIONS

Refer to GS 01C25T02-01E for Fieldbus communication type marked with “◇.”

#### □ SPAN AND RANGE LIMITS

(For EJX510A, values are in absolute and lower range limits are 0.)

Measurement Span/Range	MPa	psi (/D1)	bar (/D3)	kgf/cm <sup>2</sup> (/D4)	
A	Span	8 to 200 kPa	1.16 to 29	0.08 to 2	0.08 to 2
	Range	-100 to 200 kPa	-14.5 to 29	-1 to 2	-1 to 2
B	Span	0.04 to 2	5.8 to 290	0.4 to 20	0.4 to 20
	Range	-0.1 to 2	-14.5 to 290	-1 to 20	-1 to 20
C	Span	0.2 to 10	29 to 1450	2 to 100	2 to 100
	Range	-0.1 to 10	-14.5 to 1450	-1 to 100	-1 to 100
D	Span	1 to 50	145 to 7200	10 to 500	10 to 500
	Range	-0.1 to 50	-14.5 to 7200	-1 to 500	-1 to 500

T01E.EPS

#### □ PERFORMANCE SPECIFICATIONS

Zero-based calibrated span, linear output, wetted parts material code 'S' and silicone oil, unless otherwise mentioned.

For Fieldbus communication type, use calibrated range instead of span in the following specifications.

#### Specification Conformance

EJX series ensures specification conformance to at least  $\pm 3\sigma$ .

#### Reference Accuracy of Calibrated Span

(includes the effects of terminal-based linearity, hysteresis, and repeatability)

Measurement span	A	B	C	D
Reference accuracy				
Span $\geq$ X	$\pm 0.1\%$ of Span			
Span $<$ X	$\pm (0.01 + 0.009 \text{ URL/Span}) \%$ of Span			
X	20 kPa (2.9 psi)	0.2 MPa (29 psi)	1 MPa (145 psi)	5 MPa (720 psi)
URL (Upper range limit)	200 kPa (29 psi)	2 MPa (290 psi)	10 MPa (1450 psi)	50 MPa (7200 psi)

T02E.EPS

#### Ambient Temperature Effects per 28°C (50°F) Change

$\pm (0.15\% \text{ of Span} + 0.15\% \text{ of URL})$

#### Stability (All normal operating condition)

$\pm 0.1\%$  of URL per 1 year

#### Power Supply Effects

$\pm 0.005\%$  per Volt (from 21.6 to 32 V DC, 350  $\Omega$ )

#### Vibration Effects

Less than 0.1% of URL when tested per the requirements of IEC60770-1 field or pipeline with high vibration level (10-60 Hz, 0.21 mm peak to peak displacement/60-2000 Hz 3g)

#### Mounting Position Effects

Rotation in diaphragm plane has no effect. Tilting up to 90 degree will cause zero shift up to 0.21 kPa (0.84 inH<sub>2</sub>O) which can be corrected by the zero adjustment.

#### Response Time (All capsules) “◇”

95 msec

When software damping is set to zero and including dead time of 45 msec (nominal)

#### □ FUNCTIONAL SPECIFICATIONS

##### Output

Two wire 4 to 20 mA DC output with digital communications, linear or square root programmable. BRAIN or HART FSK protocol are superimposed on the 4 to 20 mA signal.

Output range: 3.6 mA to 21.6 mA

Output limits conforming to NAMUR NE43 can be pre-set by option code C2 or C3.

##### Failure Alarm (Output signal code D and E)

Output status at CPU failure and hardware error;

Up-scale: 110%, 21.6 mA DC or more (standard)

Down-scale: -5%, 3.2 mA DC or less

**Damping Time Constant (1st order)**

Amplifier's damping time constant is adjustable from 0.00 to 100.00 sec by software and added to re-sponse time.

Note: For BRAIN protocol type, when the software damping is set to less than 0.5 sec, communication may occasionally be unavailable during the operation, especially while output changes dynamically. The default setting of damping ensures stable communication.

**Update Period “◇”**

Pressure: 45 msec

**Zero Adjustment Limits**

Zero can be fully elevated or suppressed, within the lower and upper range limits of the capsule.

**External zero Adjustment**

External zero is continuously adjustable with 0.01% incremental resolution of span. Re-range can be done locally using the digital indicator with range-setting switch.

**Integral Indicator (LCD display, optional) “◇”**

5-digit numerical display, 6-digit unit display and bar graph.

The indicator is configurable to display one or up to three of the following variables periodically; pressure in %, scaled pressure, measured pressure. See also “Factory Settings.”

**Self Diagnostics**

CPU failure, hardware failure, configuration error, process alarm for pressure or capsule temperature. User-configurable process high/low alarm for pressure is also available, and its status can be output when optional status output is specified.

**Signal Characterizer (Output signal code D and E)**

User-configurable 10-segment signal characterizer for 4 to 20 mA output.

**Status Output (optional, output signal code D and E)**

One transistor contact output (sink type) to output the status of user configurable high/low alarm for pressure.

Rating: 10.5 to 30 V DC, 120 mA DC max.

Note: A check meter cannot be connected when status output option (/AL) is specified. Refer to ‘Wiring Example for Analog Output and Status Output.’

**SIL Certification**

EJX series transmitters except Fieldbus communication type are certified by RWTÜV Systems GmbH in compliance with the following standards; IEC 61508: 2000; Part1 to Part 7 Functional Safety of Electrical/electronic/programmable electronic related systems; SIL 2 capability for single transmitter use, SIL 3 capability for dual transmitter use.

**NORMAL OPERATING CONDITION**

(Optional features or approval codes may affect limits.)

**Ambient Temperature Limits**

–40 to 85°C (–40 to 185°F)  
–30 to 80°C (–22 to 176°F) with LCD display

**Process Temperature Limits**

–40 to 120°C (–40 to 248°F)

**Ambient Humidity Limits**

0 to 100% RH

**Maximum Over Pressure**

Capsule	Pressure	
	EJX510A	EJX530A
A and B	4 MPa abs (580 psia)	4 MPa (580 psig)
C	20 MPa abs (2900 psia)	20 MPa (2900 psig)
D	75 MPa abs (10800 psia)	75 MPa (10800 psig)

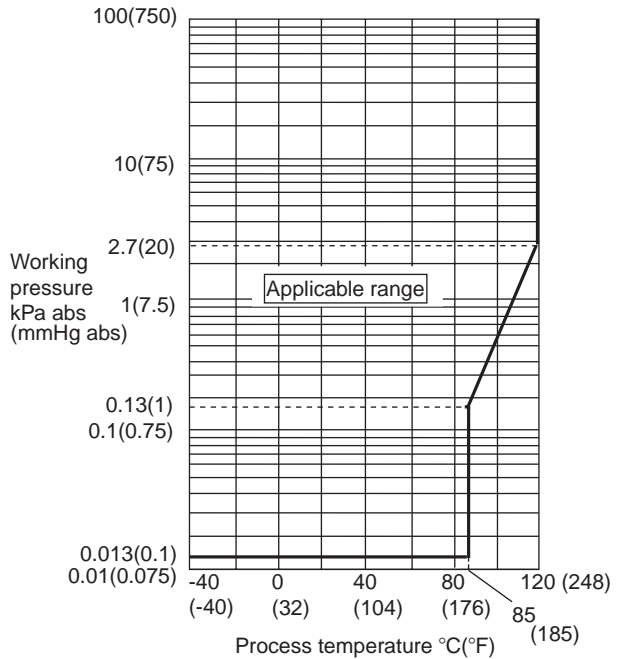
**Working Pressure Limits (Silicone oil)**

**Maximum Pressure Limits**

Capsule	Pressure	
	EJX510A	EJX530A
A	200 kPa abs (29 psia)	200 kPa (29 psig)
B	2 MPa abs (290 psia)	2 MPa (290 psig)
C	10 MPa abs (1450 psia)	10 MPa (1450 psig)
D	50 MPa abs (7200 psia)	50 MPa (7200 psig)

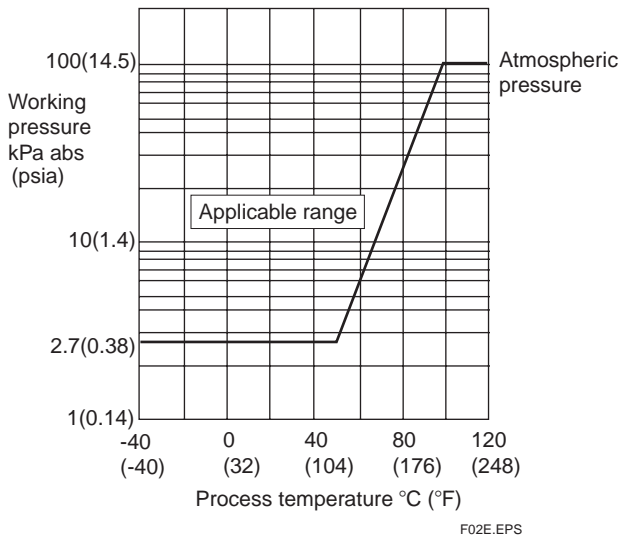
**Minimum Pressure Limit**

See graph below



F01E.EPS

**Figure 1-1. Working Pressure and Process Temperature [For EJX510A]**

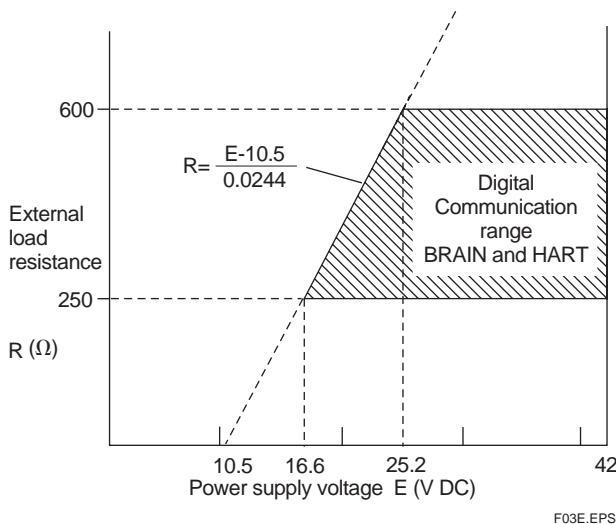


**Figure 1-2. Working Pressure and Process Temperature [For EJX530A]**

**Supply & Load Requirements**

**(Output signal code D and E. Optional features or approval codes may affect electrical requirements.)**

With 24 V DC supply, up to a 550 Ω load can be used. See graph below.



**Figure 2. Relationship Between Power Supply Voltage and External Load Resistance**

**Supply Voltage “◇”**

- 10.5 to 42 V DC for general use and flameproof type.
- 10.5 to 32 V DC for lightning protector (option code A).
- 10.5 to 30 V DC for intrinsically safe, type n, non-incendive or non-sparking type.

Minimum voltage limited at 16.6 V DC for digital communications, BRAIN and HART

**Load (Output signal code D and E)**

- 0 to 1290 Ω for operation
- 250 to 600 Ω for digital communication

**Communication Requirements “◇”**

**(Approval codes may affect electrical requirements.)**

**BRAIN**

**Communication Distance**

Up to 2 km (1.25 miles) when using CEV polyethylene-insulated PVC-sheathed cables. Communication distance varies depending on type of cable used.

**Load Capacitance**

0.22 μF or less

**Load Inductance**

3.3 mH or less

**Input Impedance of communicating device**

10 kΩ or more at 2.4 kHz.

**HART**

**Communication Distance**

Up to 1.5 km (1 mile) when using multiple twisted pair cables. Communication distance varies depending on type of cable used.

Use the following formula to determine cable length for specific applications:

$$L = \frac{65 \times 10^6}{(R \times C)} - \frac{(C_f + 10,000)}{C}$$

Where:

- L = length in meters or feet
- R = resistance in Ω (including barrier resistance)
- C = cable capacitance in pF/m or pF/ft
- C<sub>f</sub> = maximum shunt capacitance of receiving devices in pF/m or pF/ft

**EMC Conformity Standards** CE , N200  
EN 61326, AS/NZS 2064

**PHYSICAL SPECIFICATIONS**

**Wetted Parts Materials**

**Diaphragm, Process Connector**

Refer to “MODEL AND SUFFIX CODE.”

**Non-wetted Parts Materials**

**Housing**

Low copper cast aluminum alloy with polyurethane, mint-green paint (Munsell 5.6BG 3.3/2.9 or its equivalent)

**Degrees of Protection**

IP67, NEMA4X, JIS C0920

**Cover O-rings**

Buna-N

**Name plate and tag**

304 SST

**Fill Fluid**

Silicone, fluorinated oil (option)

**Weight**

Capsule A, B and C: 1.1 kg (2.4 lb)\*

Capsule D: 1.3 kg (2.9 lb)\*

\*: Without integral indicator and mounting bracket.

**Connections**

Refer to “MODEL AND SUFFIX CODE.”

**< Related Instruments >**

Power Distributor: Refer to GS 01B04T01-02E or GS 01B04T02-02E  
 BRAIN TERMINAL: Refer to GS 01C00A11-00E

**< Reference >**

1. Hastelloy; Trademark of Haynes International Inc.
  2. HART; Trademark of the HART Communication Foundation.
  3. FOUNDATION Fieldbus; Trademark of Fieldbus Foundation.
- Other company names and product names used in this material are registered trademarks or trademarks of their respective owners.

**MODEL AND SUFFIX CODES**

Model	Suffix Codes	Description
<b>EJX510A</b>	.....	Absolute pressure transmitter
<b>EJX530A</b>	.....	Gauge pressure transmitter
Output signal	<b>-D</b> .....	4 to 20 mA DC Output with digital communication (BRAIN protocol)
	<b>-E</b> .....	4 to 20 mA DC Output with digital communication (HART protocol)
	<b>-F</b> .....	Digital communication (FOUNDATION Fieldbus protocol, refer to GS 01C25T02-01E)
Measurement span (Capsule)	<b>A</b> .....	8 to 200 kPa (1.16 to 29 psi)
	<b>B</b> .....	0.04 to 2 MPa (5.8 to 290 psi)
	<b>C</b> .....	0.2 to 10 MPa (29 to 1450 psi)
	<b>D</b> .....	1 to 50 MPa (145 to 7200 psi)
Wetted parts material *4	<b>S</b> .....	Process connection      Diaphragm 316L SST                      Hastelloy C-276 *1
	<b>H</b> .....	Hastelloy C-276 *1      Hastelloy C-276 *1
Process connections	<b>4</b> .....	1/2 NPT female
	<b>7</b> .....	1/2 NPT male
	<b>8</b> .....	G1/2 DIN 16 288 male *2
	<b>9</b> .....	M20×1.5 DIN 16 288 male *2
—	<b>N</b> .....	Always N
—	<b>-0</b> .....	Always 0
Amplifier housing ☆	<b>1</b> .....	Cast aluminum alloy
Electrical connection ☆	<b>0</b> .....	G1/2 female, one electrical connection without blind plugs
	<b>2</b> .....	1/2 NPT female, two electrical connections without blind plugs
	<b>4</b> .....	M20 female, two electrical connections without blind plugs
	<b>5</b> .....	G1/2 female, two electrical connections with a blind plug
	<b>7</b> .....	1/2 NPT female, two electrical connections with a blind plug
	<b>9</b> .....	M20 female, two electrical connections with a blind plug
Integral indicator ☆	<b>D</b> .....	Digital indicator
	<b>E</b> .....	Digital indicator with the range setting switch *3
	<b>N</b> .....	None
Mounting bracket ☆	<b>F</b> .....	304 SST 2-inch pipe mounting
	<b>N</b> .....	None

T03.EPS

The “☆” marks indicates the most typical selection for each specification. Example: EJX530A-DAS4N-012NN/□.

\*1: Hastelloy C-276 or ASTM N10276.

\*2: Not applicable for combination of capsule code **D** and wetted parts material code **H**.

\*3: Not applicable for output signal code **F**.

\*4: ⚠ Users must consider the characteristics of selected wetted parts material and influence of process fluids. Specifying inappropriate materials has the potential to cause serious damage to human body and plant facilities resulted from an unexpected leak of the corrosive process fluids.

**OPTIONAL SPECIFICATIONS (For Explosion Protected type) “◇”**

Item	Description	Code
Factory Mutual (FM)	FM Explosionproof Approval *1 Explosionproof for Class I, Division 1, Groups B, C and D Dust-ignitionproof for Class II/III, Division 1, Groups E, F and G in Hazardous locations, indoors and outdoors (NEMA 4X) Temperature class: T6, Amb. Temp.: -40 to 60°C (-40 to 140°F)	<b>FF1</b>
	FM Intrinsically safe Approval *1*3 Intrinsically Safe for Class I, Division 1, Groups A, B, C & D, Class II, Division 1, Groups E, F & G and Class III, Division 1, Class I, Zone 0, in Hazardous Locations, AEx ia IIC Nonincendive for Class I, Division 2, Groups A, B, C & D, Class II, Division 2, Groups F & G, and Class III, Division 1, Class I, Zone 2, Group IIC, in Hazardous Locations Enclosure: "NEMA 4X", Temp. Class: T4, Amb. Temp.: -60 to 60°C (-75 to 140°F) Intrinsically Safe Apparatus Parameters [Groups A, B, C, D, E, F and G] Vmax=30 V, Imax=200 mA, Pmax=1 W, Ci=6 nF, Li=0 μH [Groups C, D, E, F and G] Vmax=30 V, Imax=225 mA, Pmax=1 W, Ci=6 nF, Li=0 μH	<b>FS1</b>
	Combined FF1 and FS1 *1*3	<b>FU1</b>
CENELEC ATEX	CENELEC ATEX (KEMA) Flameproof Approval *1 II 2G, 1D EExd IIC T4, T5, T6 Amb. Temp. (Tamb) for gas-proof: T4: -50 to 75°C (-58 to 167°F), T5: -50 to 80°C (-58 to 176°F), T6: -50 to 70°C (-58 to 158°F) Max. process Temp.(Tp): T4: 120°C (248°F), T5: 100°C (212°F), T6: 85°C (185°F) Max. surface Temp. for dust-proof: T80°C (Tamb: -40 to 40°C, Tp:80°C), T100°C (Tamb: -40 to 60°C, Tp:100°C), T120°C (Tamb: -40 to 80°C, Tp:120°C) Type of protection: IP66 and IP67	<b>KF2</b>
	CENELEC ATEX (KEMA) Intrinsically safe Approval *1*3 II 1G, 1D EEx ia IIC T4 Amb. Temp.(Tamb) for gas-proof: -50 to 60°C (-58 to 140°F) Maximum Process Temp.(Tp) for gas-proof: 120°C Electrical data: Ui=30 V, li=200 mA, Pi=0.9 W, Ci=10 nF, Li=0 mH Max. surface Temp. for dust-proof: T85°C (Tamb: -40 to 60°C, Tp:80°C), T100°C (Tamb: -40 to 60°C, Tp:100°C), T120°C (Tamb: -40 to 60°C, Tp:120°C) Type of protection: IP66 and IP67	<b>KS2</b>
	Combined KF2, KS2 and Type n *1*3 Type n: II 3G EEx nL IIC T4, Amb. Temp.: -50 to 60°C (-50 to 140°F) Ui=30 V DC, Ci=10 nF, Li=0 mH	<b>KU2</b>
Canadian Standards Association (CSA)	CSA Explosionproof Approval *2 [For CSA C22.2] Explosion-proof for Class I, Groups B, C and D. Dustignition-proof for Class II/III, Groups E, F and G. When installed in Division 2, "SEAL NOT REQUIRED" Enclosure: TYPE 4X, Temp. Code: T6...T4 [For CSA E60079] Flameproof for Zone 1, Ex d IIC T6...T4 Enclosure: IP66 and IP67  Max.Process Temp.: T4:120°C(248°F), T5:100°C(212 °F), T6: 85°C(185°F) Amb.Temp.: -50 to 75°C(-58 to 167°F) for T4, -50 to 80°C(-58 to 176°F) for T5, -50 to 70°C(-58 to 158°F) for T6	<b>CF1</b>
	CSA Intrinsically safe Approval *2*3 [For CSA C22.2] Intrinsically Safe for Class I, Division 1, Groups A, B, C & D, Class II, Division 1, Groups E, F & G, Class III, Division 1 Nonincendive for Class I, Division 2, Groups A, B, C & D, Class II, Division 2, Groups E, F & G, Class III, Division 1 Enclosure: Type 4X, Temp. Code: T4 Amb. Temp.: -50 to 60°C(-58 to 140°F) Electrical Parameters: [Intrinsically Safe] Vmax=30V, Imax=200mA, Pmax=0.9W, Ci=10nF, Li=0 [Nonincendive] Vmax=30V, Ci=10nF, Li=0  [For CSA E60079] Ex ia IIC T4, Ex nL IIC T4 Amb. Temp.: -50 to 60°C(-58 to 140°F), Max. Process Temp.: 120°C(248°F) Enclosure: IP66 and IP67 Electrical Parameters: [Ex ia] Ui=30V, li=200mA, Pi=0.9W, Ci=10nF, Li=0 [Ex nL] Ui=30V, Ci=10nF, Li=0	<b>CS1</b>
	Combined CF1 and CS1 *2*3	<b>CU1</b>

T04.EPS

- \*1: Applicable for electrical connection code **2, 4, 7, and 9.**
- \*2: Applicable for electrical connection code **2 and 7.**
- \*3: Not applicable for output signal code-F and option code **/AL.**

**OPTIONAL SPECIFICATIONS**

Item	Description		Code
Painting	Color change	Amplifier cover only	P□
		Amplifier cover and terminal cover, Munsell 7.5 R4/14	PR
	Coating change	Anti-corrosion coating *1	X2
Lightning protector	Transmitter power supply voltage: 10.5 to 32 V DC ( 10.5 to 30 V DC for intrinsically safe type, 9 to 32 V DC for Fieldbus communication type.) Allowable current: Max. 6000 A ( 1×40 μs ), Repeating 1000 A ( 1×40 μs ) 100 times Applicable Standards: IEC 61000-4-4, IEC 61000-4-5		A
Status output *2	Transistor output (sink type) Rating: 10.5 to 30 V DC, 120 mA DC (max)    Low level: 0 to 2 V DC		AL
Oil-prohibited use	Degrease cleansing treatment		K1
	Degrease cleansing treatment and with fluorinated oilfilled capsule. Operating temperature -20 to 80°C (-4 to 176°F)		K2
Capsule fill fluid	Fluorinated oil filled in capsule		K3
Calibration units *3	P calibration (psi unit)	(See Table for Span and Range Limits.)	D1
	bar calibration (bar unit)		D3
	M calibration (kgf/cm <sup>2</sup> unit)		D4
Output limits and failure operation *4	Failure alarm down-scale: Output status at CPU failure and hardware error is -5%, 3.2mA DC or less.		C1
	NAMUR NE43 Compliant Output signal limits: 3.8mA to 20.5 mA	Failure alarm down-scale: Output status at CPU failure and hardware error is -5%, 3.2mA DC or less.	C2
		Failure alarm up-scale: Output status at CPU failure and hardware error is 110%, 21.6 mA or more.	C3
Stainless steel tag plate	304 SST stainless steel tag plate wired onto transmitter		N4
Data configuration at factory *5	Data configuration for HART communication type	Software damping, Descriptor, Message	CA
	Data configuration for BRAIN communication type	Software damping	CB
Material certificate*6	Process Connector		M15
Pressure test /Leak test certificate*12	Test Pressure: 200 kPa (29 psi) *7	Nitrogen(N <sub>2</sub> ) Gas or Water *11 Retention time: one minute	T05
	Test Pressure: 2 MPa (290 psi) *8		T06
	Test Pressure: 10 MPa (1450 psi) *9		T07
	Test Pressure: 50 MPa (7200 psi) *10		T08

T05.EPS

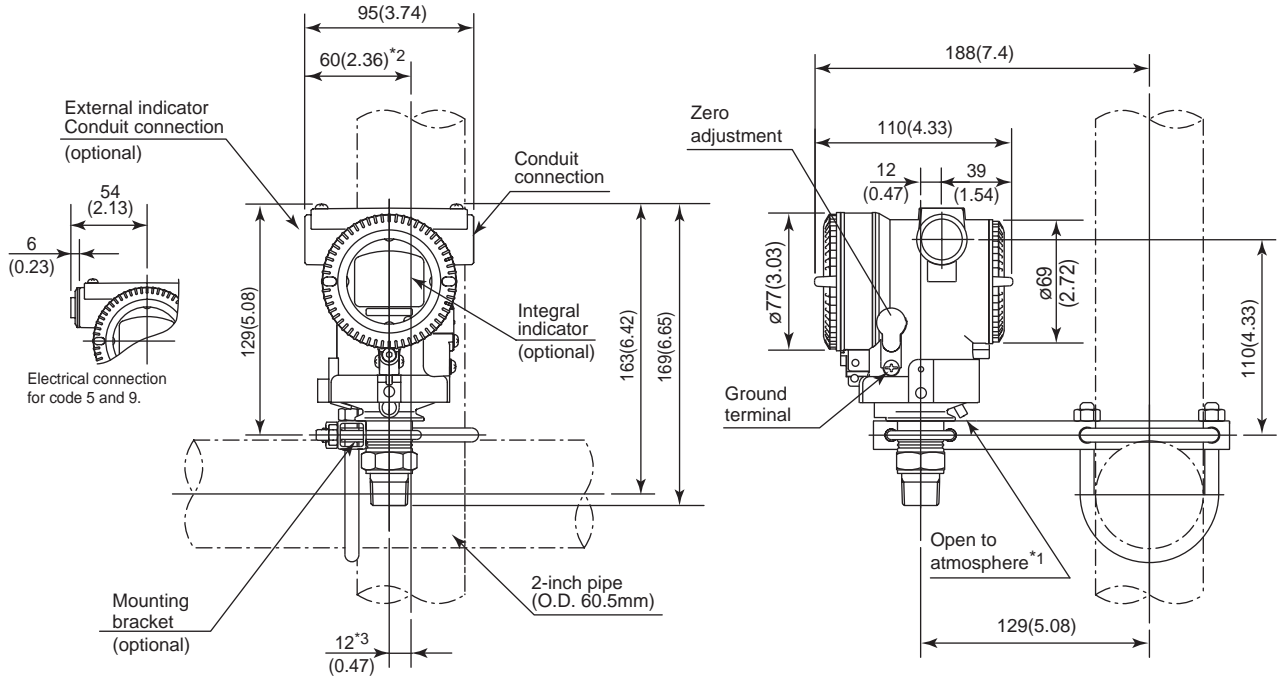
- \*1: Not applicable with color change option.
- \*2: Check/External indicator terminals cannot be used when this option code is specified. Not applicable for output signal code F.
- \*3: The unit of MWP (Max. working pressure) on the name plate of a housing is the same unit as specified by option codes **D1**, **D3**, and **D4**.
- \*4: Applicable for output signal codes **D** and **E**. The hardware error indicates faulty amplifier or capsule.
- \*5: Also see 'Ordering Information'.
- \*6: Material traceability certification, per EN 10204 3.1 B.
- \*7: Applicable for capsule code **A**.
- \*8: Applicable for capsule code **B**.
- \*9: Applicable for capsule code **C**.
- \*10: Applicable for capsule code **D**.
- \*11: Pure nitrogen gas or pure water is used for oil-prohibited use (option codes **K1** and **K2**).
- \*12: The unit on the certificate is always kPa/MPa regardless of selection of option code **D1**, **D3** and **D4**.

## DIMENSIONS

### ● Model EJX510A and EJX530A

● With process connections code 7

Unit: mm (Approx. inch)

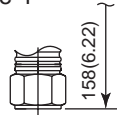


\*1: Only for EJX530A whose measurement span code is A, B, or C.

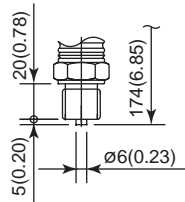
\*2: 58 mm (2.28 inch) for measurement span code D.

\*3: 11 mm (0.43 inch) for measurement span code D.

● With process connections code 4

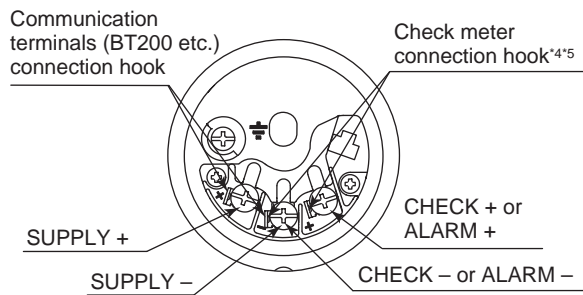


● With process connections code 8 and 9



F04.EPS

### ● Terminal Configuration



### ● Terminal Wiring

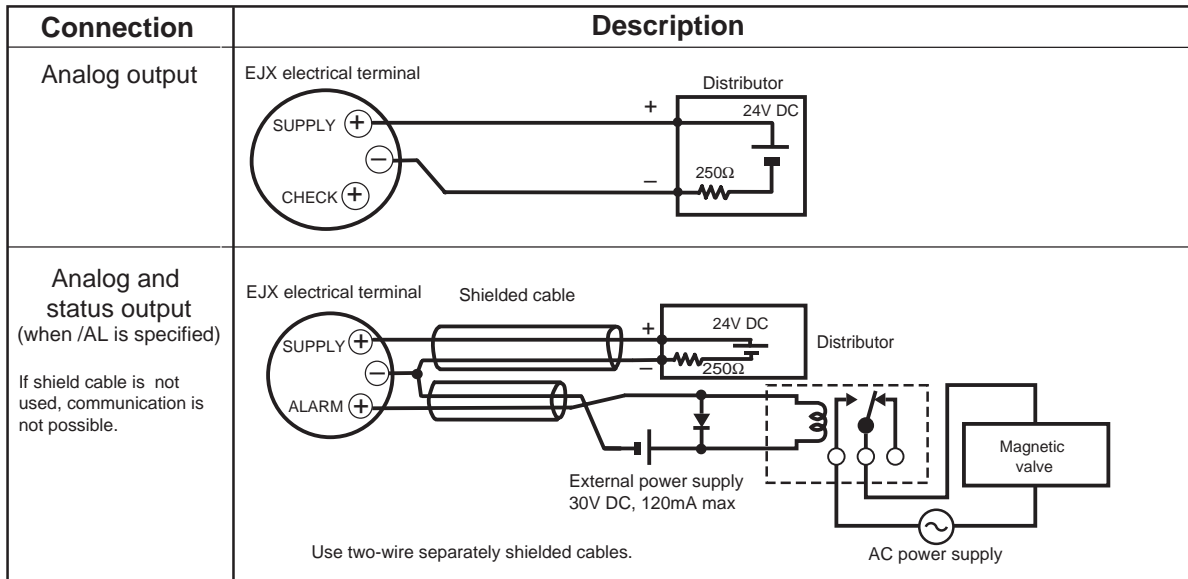
SUPPLY	+ -	Power supply and output terminal
CHECK or ALARM	+ - +	External indicator (ammeter) terminal*4*5 or Status contact output terminal*5 (when /AL is specified)
	⏏	Ground terminal

\*4: When using an external indicator or check meter, the internal resistance must be 10 Ω or less. A check meter or indicator cannot be connected when /AL option is specified.

\*5: Not available for fieldbus communication type.

F05.EPS

● Wiring Example for Analog Output and Status Output



F06.EPS

< Ordering Information > “◇”

Specify the following when ordering

1. Model, suffix codes, and option codes
2. Calibration range and units
  - 1) Calibration range can be specified with range value specifications up to 5 digits (excluding any decimal point) for low or high range limits within the range of -32000 to 32000. When reverse range is designated, specify Lower Range Value (LRV) as greater than Upper Range Value (URV).
  - 2) Specify only one unit from the table, 'Factory Settings' when shipped.'
3. Display scale and units (for transmitters equipped with integral indicator only)
 

Specify either 0 to 100 % or engineering unit scale and 'Range and Unit' for engineering units scale: Scale range can be specified with range limit specifications up to 5 digits (excluding any decimal point) for low or high range limits within the range of -32000 to 32000. The unit display consists of 6-digit, therefore, if the specified unit is longer than 7 characters excluding '/', the first 6 characters will be displayed on the unit display.
4. Tag Number (if required)
 

For BRAIN communication type, specify upto 16 letters. The specified letters will be written in the amplifier memory and engraved on the tag plate. For HART communication type, specify software tag (up to 8 letters) to be written on the amplifier memory and Tag number(up to 16 letters) to be engraved on the tag plate separately.
5. Other factory configurations (if required)
 

Specifying option code CA or CB will allow further configuration at factory. Following are configurable items and setting range.

[/CA: For HART communication type]

  - 1) Descriptor(up to 16 characters)
  - 2) Message (up to 30 characters)
  - 3) Software damping in second (0.00 to 100.00)

[/CB: For BRAIN communication type]

  - 1) Software damping in second (0.00 to 100.00)

< Factory Setting > “◇”

Tag number	As specified in order
Software damping *1	'2.00 sec' or as specified in order
Calibration range lower range value	As specified in order
Calibration range upper range value	As specified in order
Calibration range units	[EJX530A] Selected from mmH <sub>2</sub> O, mmH <sub>2</sub> O(68°F), mmAq <sup>2</sup> , mmWG <sup>2</sup> , mmHg, Pa, hPa <sup>2</sup> , kPa, MPa, mbar, bar, gf/cm <sup>2</sup> , kgf/cm <sup>2</sup> , inH <sub>2</sub> O, inH <sub>2</sub> O(68°F), inHg, ftH <sub>2</sub> O, ftH <sub>2</sub> O(68°F) or psi. (Only one unit can be specified)
Display setting	Designated value specified in order. (% or user scaled value.)

T06E.EPS

- \*1: To specify these items at factory, /CA or /CB option is required.  
 \*2: Not available for HART protocol type.