



Sartolab RF/BT

Disposable PES Vacuum Filtration Units

Sartolab Receiver Flask (RF) Range

Sartolab vacuum filtration units

In today's tissue culture laboratory, speed, convenience, sterility assurance and cost effectiveness are the key requirements for busy end users and buyers.

Vivascience Sartolab Receiver Flask (RF) and Bottle Top (BT) disposable vacuum filter systems are the product of choice for filtration of tissue culture media, serum, buffers, antibiotics, vitamin solutions and other aqueous biologicals.

Sartolab RF and BT filter units offer high quality Sartorius PES membranes, combining highest flow-rates and throughput with extremely low protein binding and extractables. Not only is this high performance membrane unique to Vivascience Sartolab products, it is also offered standardly as a 90 mm membrane in all of our 500 ml and 1000 ml bottle top and receiver flask units; guaranteeing faster, higher throughput filtration more cost effectively.



Sartolab RF500
500 ml capacity
Cat No. 18082-E

Sartolab RF150
150 ml capacity
Cat No. 18081-E

Sartolab RF1000
1000 ml capacity
Cat No. 18083-E

Ready-to-use and easy handling

Pre-sterilized filter units, require only connection to a vacuum source. User-friendly design eliminates mistakes in usage.

Single-unit packaging

Receiver flasks are removable and can be closed for storage with the sterile caps supplied with the units. Bottle tops will fit any 45 mm diameter sterile storage bottle.

Flexible

Sterile filtration of cell culture media, buffers, additives and other aqueous biologicals.

PES Membrane of choice for cell culture

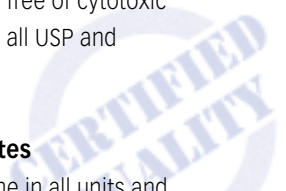
PES membranes combine extremely high flow rates and throughput with low non-specific binding.

Free of cytotoxic effects

Sartolab units are free of cytotoxic effects, they pass all USP and cytotoxicity tests.

Highest flow rates

The PES membrane in all units and a 90 mm filter diameter in 500 ml and 1000 ml units increase the speed and throughput of filtration.



Sartolab Bottle Top (BT) Range



- 150, 500, 1000 ml
- 0.2 μm pore size
- Polystyrene housing
- PES (Polyethersulphone) membrane
- 50 mm & 90 mm diameter membrane
- 45 mm bottle-top fitting (Sartolab BT)
- Gamma sterilized
- Pack of 12

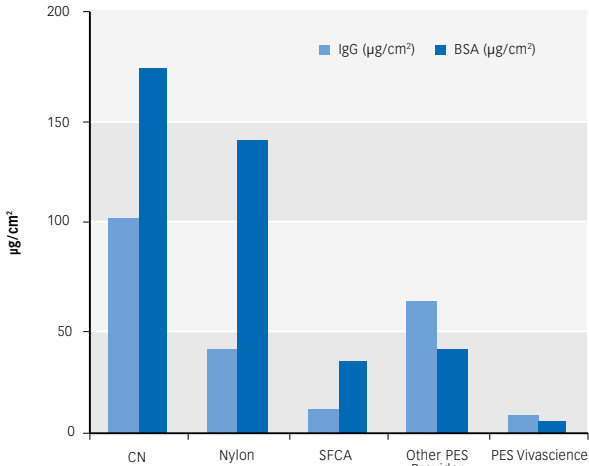


Sartolab BT150
150 ml capacity
Cat No. 18084-E

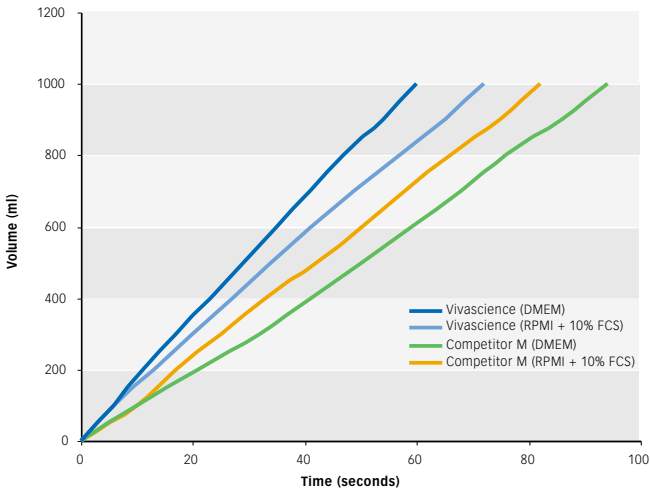
Sartolab BT500
500 ml capacity
Cat No. 18085-E

Sartolab BT1000
1000 ml capacity
Cat No. 18086-E

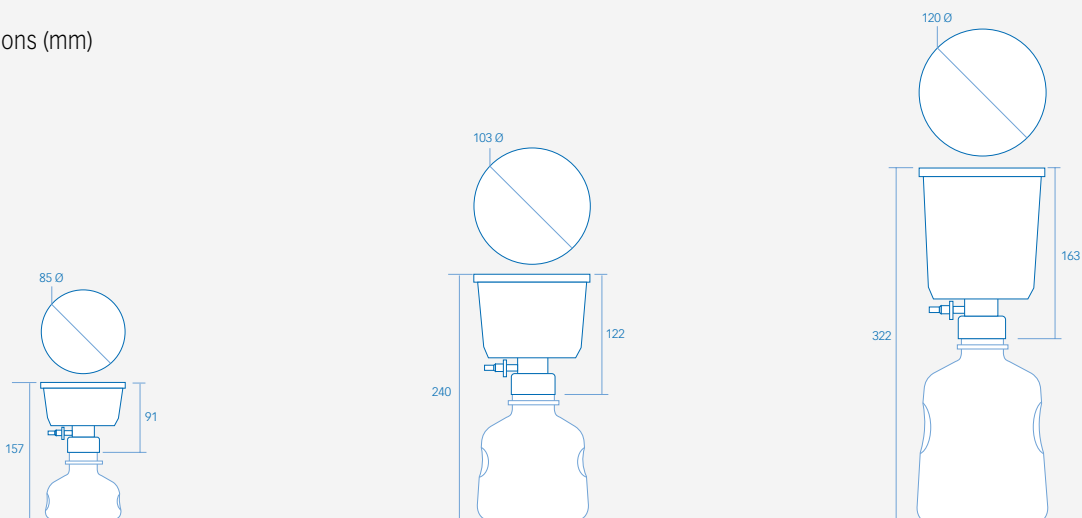
PES Membrane - Low Protein Binding



Highest Flow Rates



Dimensions (mm)



Filter Unit with PES Membrane, Pore size 0.2 µm

Cat. No.	Volume capacity	PES Membrane diameter	Pack size
18081-E	150 ml	50 mm	12
18082-E	500 ml	90 mm	12
18083-E	1000 ml	90 mm	12

Bottle Top Filter with PES Membrane, Pore size 0.2 µm

Cat. No.	Volume capacity	PES Membrane diameter	Pack size
18084-E	150 ml	50 mm	12
18085-E	500 ml	90 mm	12
18086-E	1000 ml	90 mm	12

Specifications

Capacity	150 ml, 500 ml, 1000 ml funnel and flask
Membrane	PES (Polyethersulphone) 50 mm and 90 mm diameter 0.2 µm pore size
Housing	Polystyrene
Connection to vacuum	Plug-on hose nipple
Cytotoxicity	All materials pass USP class VI and cytotoxicity ISO 10993 tests
Neck size bottle top units	45 mm diameter
Sterilization	Gamma radiation

Vivascience Support and Sales		Phone	Fax	E-mail
International	Vivascience Support Center	+49 551 38906 0	+49 551 38906 11	info@sc.vivascience.com
France	Vivascience S.A.R.L.	+33 169 19 93 23	+33 1601 395 05	info.france@vivascience.com
Germany	Vivascience AG	+49 551 308 4023	+49 551 308 3289	info.germany@vivascience.com
UK	Vivascience Ltd.	+44 1372 737 159	+44 1372 726 171	info.uk@vivascience.com

Vivascience AG

Feodor-Lynen-Strasse 21 Phone: +49 511 524 875 0 E-mail: info@vivascience.com
 30625 Hannover, Germany Fax: +49 511 524 875 19 www.vivascience.com